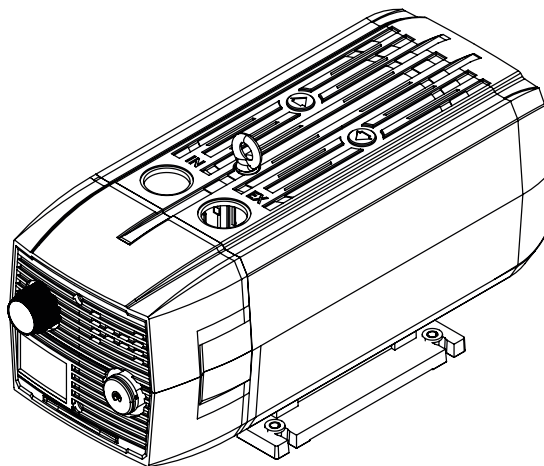


VD 16
VD 25
VD 40

***Dry Rotary Vane
Vacuum Pumps***



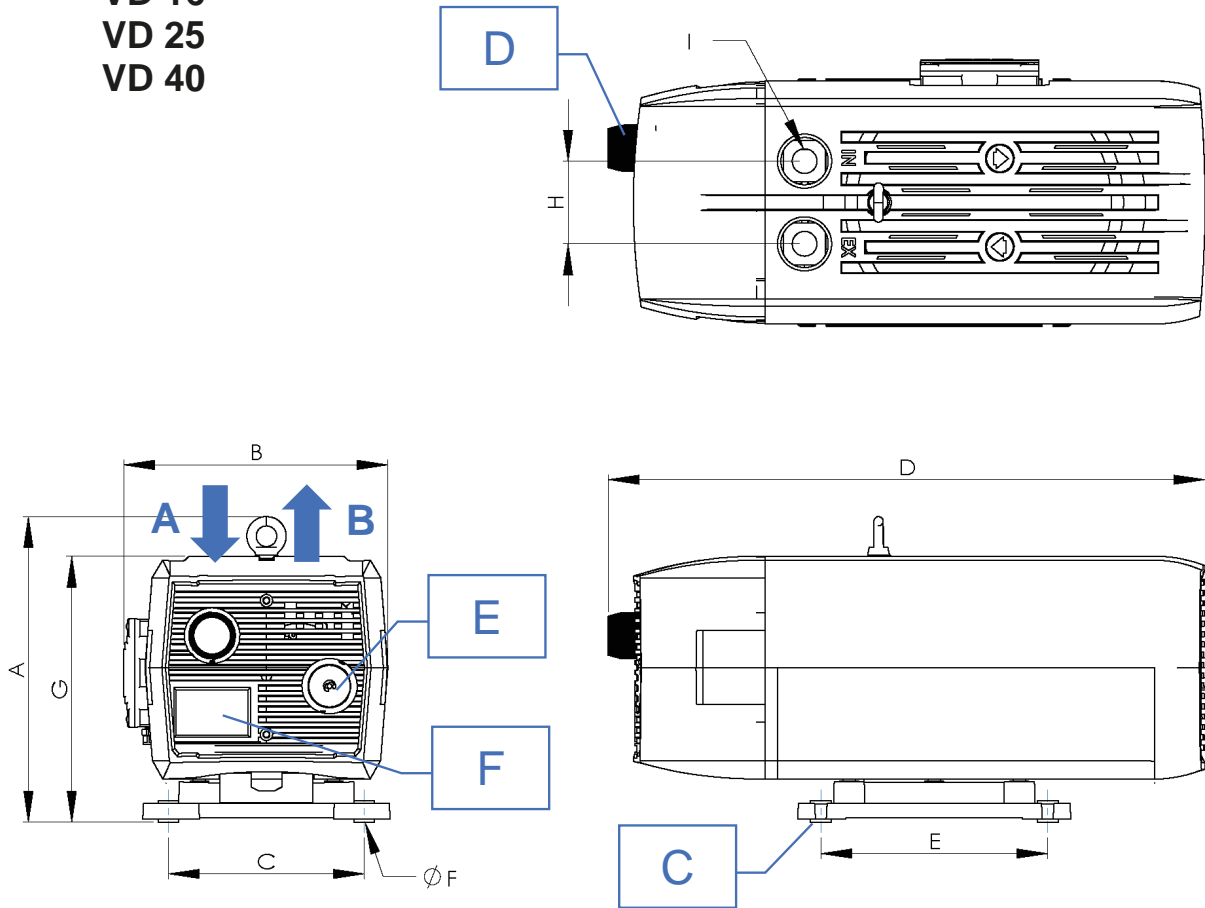
***Technical data
and parts lists***

Publication Number:
RDT4801.P1 May 2021

Technical data and parts lists

ENG

VD 16
VD 25
VD 40



Model	A	B	C	D	E	F	G	H	I
VD 16 (3~)	269	238	125	457	203	Ø9	228	75	½" Gas
VD 16 (1~)									
VD 25 (3~)	296	256	190	525	220		258	80	¾" Gas
VD 25 (1~)				579					
VD 40 (3~)									

(I)

(GB)

(F)

(D)

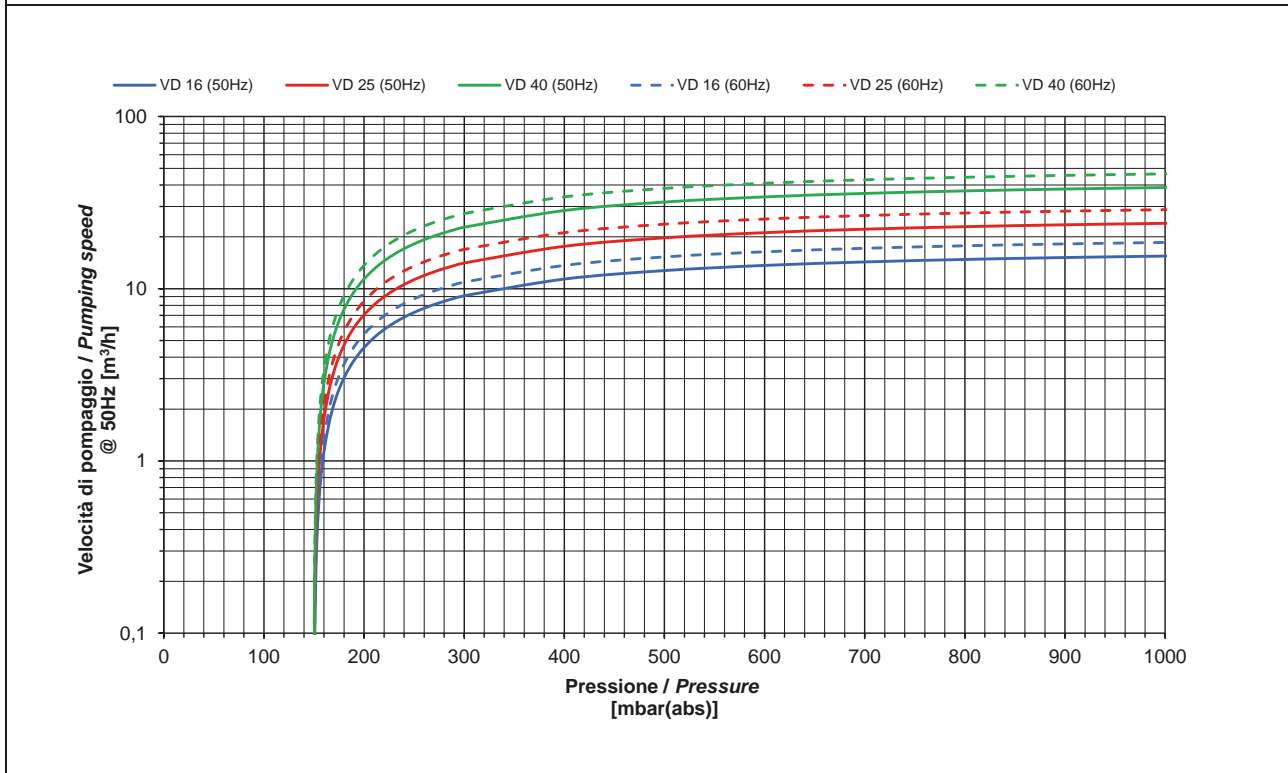
(E)

	(I)	(GB)	(F)	(D)	(E)
A	Aspirazione	inlet	Aspiration	Einlass	Aspiración
B	Scarico aria	Exhaust	Sortie de l'air	Luftauslass	Salida de aire
C	Basamento	Baseplate	Base	Untergestell	Base
D	Valvola regolazione vuoto	Vacuum regulation valve	Vanne de régulation du vide	Vakuuregelventil	Válvula de regulación de vacío
E	Silenziatore	Silencer	Silencieux	Schalldämpfer	Silenciador
F	Targhetta identificazione	Pump name plate	Plaquette d'identification	Maschinenschild	Placa de identificación

		VD 16	VD 25	VD 40
Portata nominale* Nominal speed* Débit nominal* Nennsaugvermögen* Caudal nominal*	m ³ /h	50Hz 16	25	40
		60Hz 19	30	48
Pressione finale*(assoluta) Ultimate pressure* (abs.) Pression limite* (abs.) Enddruck* (abs.) Presión final* (abs.)	mbar	150		
Potenza motore # / Numero di giri (-3) Motor power # / Rotational speed (-3) Puissance moteur # / Numéro de révolutions (-3) Motorleistung # / Drehzahl (-3) Potencia motor # / Velocidad de giro (-3)	kW (min ⁻¹)	50Hz (1500) 0,55	0,75	1,25
		60Hz (1800) 0,70	0,90	1,50
Potenza motore # / Numero di giri (-1) Motor power # / Rotational speed (-1) Puissance moteur # / Numéro de révolutions (-1) Motorleistung # / Drehzahl (-1) Potencia motor # / Velocidad de giro (-1)	kW (min ⁻¹)	50Hz (1500) 0,55	0,75	/
		60Hz (1800) 0,70	0,9	/
Caratteristiche motore elettrico Electric motor characteristics Caractéristiques moteur électrique Motoreigenschaften Características motor eléctrico	-3 -1	230/400 V±10% 230 V±10%		
Livello di pressione acustica Sound pressure level Niveau de pression acoustique Schalldruckpegel Nivel de presión acústica	dB(A) EN ISO 2151	50Hz 61	62	67
		60Hz 64	67	72
Peso totale Total weight Poids total Gesamtgewicht Peso total	kg	50Hz 25	33	36
		60Hz		

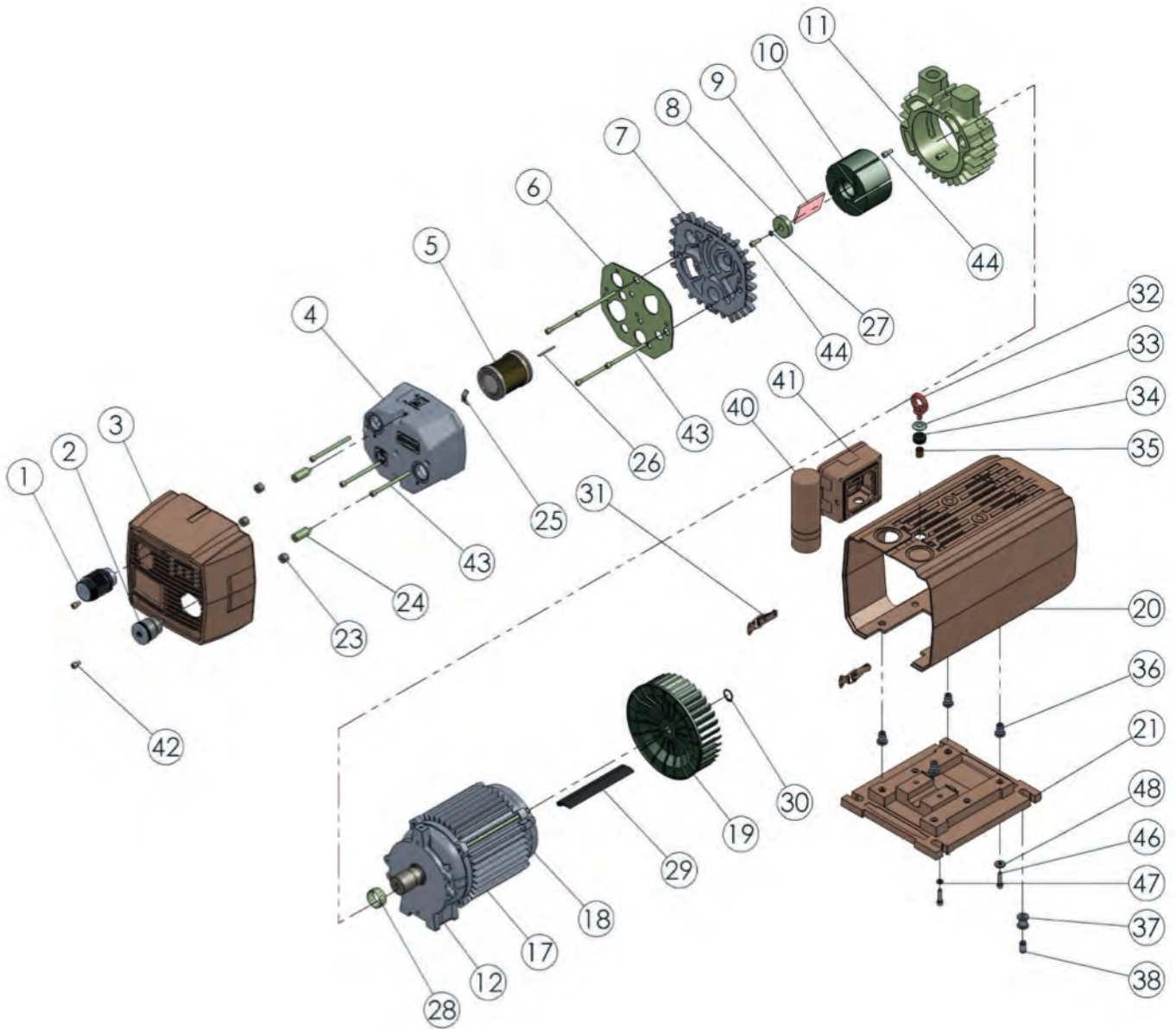
*Secondo accordi PNEUROF 6602.
*According to PNEUROF standard 6602.
*Selon la norme PNEUROF 6602.
*Nach der PNEUROF Norm 6602.
*Según la normativa PNEUROF 6602.

#Valido per temperature fino a 40°C e altitudini inferiori a 1000 m.
#Valid for temperatures up to 40°C and altitudes lower than 1000 m.
#Valable pour températures jusqu'à 40°C et pour altitudes inférieures à 1000 m.
#Gültig für Temperaturen bis 40°C und für Höhen weniger als 1000 m.
#Válido para temperaturas hasta 40°C y altitudes inferiores a 1000 m.



Technical data and parts lists
ENG

VD 16/25/40



VD 16/25/40

No.	Parts Name	Quantity Required
1	Vacuum Regulating Valve	1
2	Outlet Silencer	1
3	Front Protecting Hood	1
4	Filter Cover	1
5	Filter Cartridge	1
6	Gasket	1
7	Lid	1
8	Clamping Disc	1
9	Carbon Vanes (set)	1
10	Rotor	1
11	Pump Body	1
12	Motor Front Cover	1
17	Motor Frame	1
18	Motor Rear Cover	1
19	Cooling Fan	1
20	Protecting Hood	1
21	Base	1
23	Rubber Element	3
24	Spacer	2
25	Blade Spring	1
26	Location Pin	1

No.	Parts Name	Quantity Required
27	Toothed Spring Washer	1
28	Star Tolerance Ring	1
29	Edge Protection	1
30	C-type Retaining Ring	1
31	Hook Clamp (set)	2
32	Eye Screw	1
33	Disc	1
34	Rubber Bushing	1
35	Spacer Tube	1
36	Screw Nut	4
37	Rubber Element	1
38	Spacing Collar	1
40	Capacitor (for Single Phase)	1
41	Wiring Box Set	1
42	Socket Head Screw	2
43	Socket Head Screw	7
44	Socket Head Screw	3
46	Socket Head Screw	2
47	Washer	5
48	Washer	1

PVR Srl

HEADQUARTERS:

Via Santa Vecchia, 107 - 23868 Valmadrera (LC), Italy
T +39 0341 1918 51 - F +39 0341 1918 599
info@pvr.it - www.pvr.it

LOCAL UNIT:

Via IV Novembre, 104F
23868 Valmadrera (LC), Italy