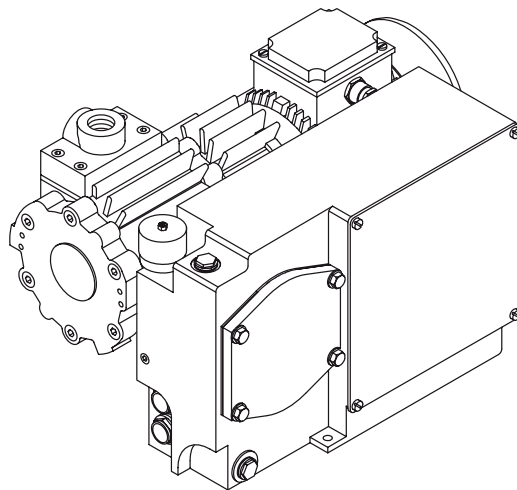


PVL 25 - PVL 25/B
PVL 35 - PVL 35/B
*Lubricated vane
vacuum pump*

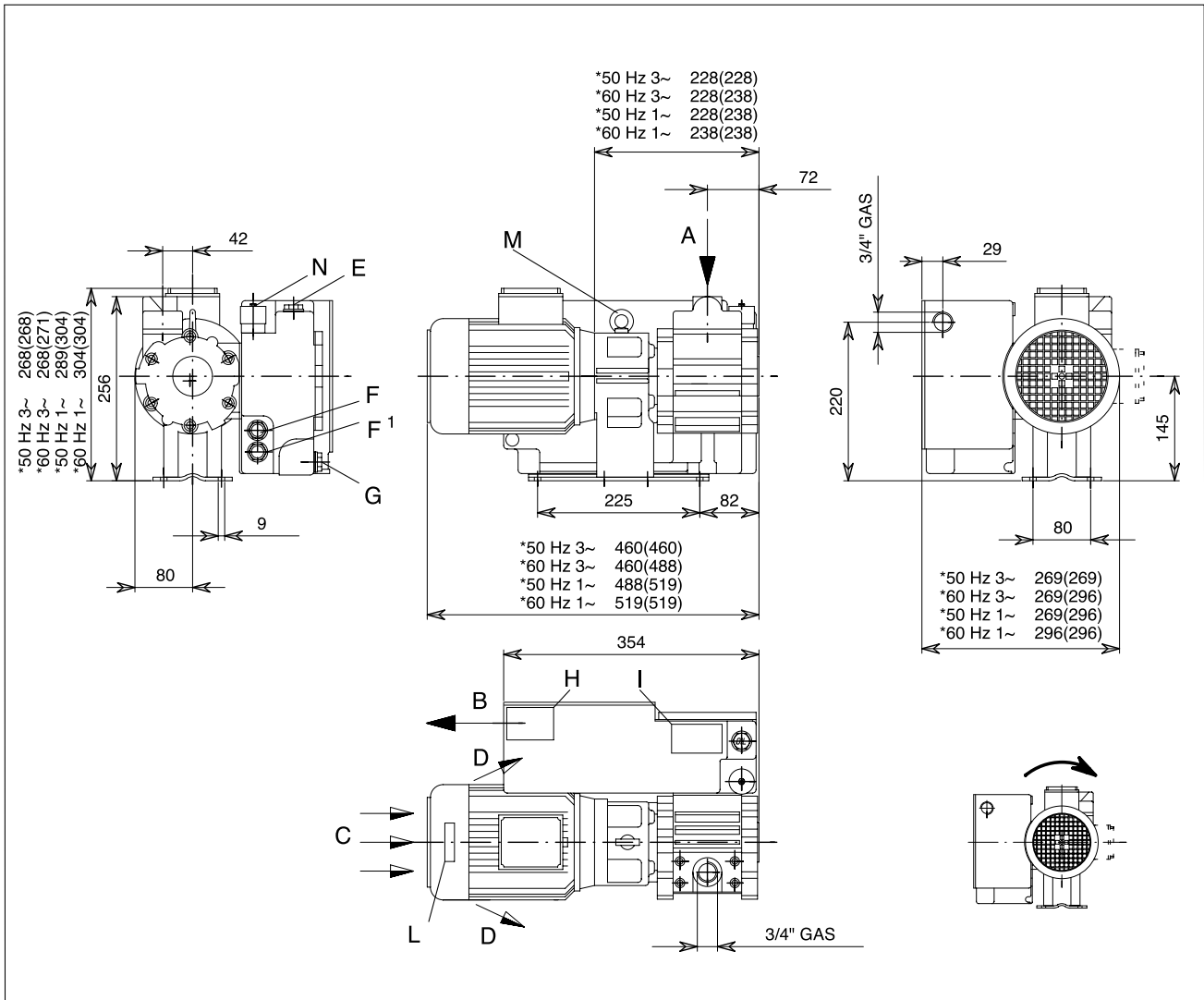


**Technical data
and parts lists**

Publication Number:
RDT 704.01 December 2017

Technical data and parts lists

ENG



*Misure soggette a variazioni in funzione della marca del motore

*Die Maße können auf Grund vom Motorzeichen ändern

*Dimensions subject to changes depending on the motor brand

*Medidas sujetas a variación en función de la marca del motor

*Données sujettes aux variations en fonction de la marque du moteur

I

GB

F

D

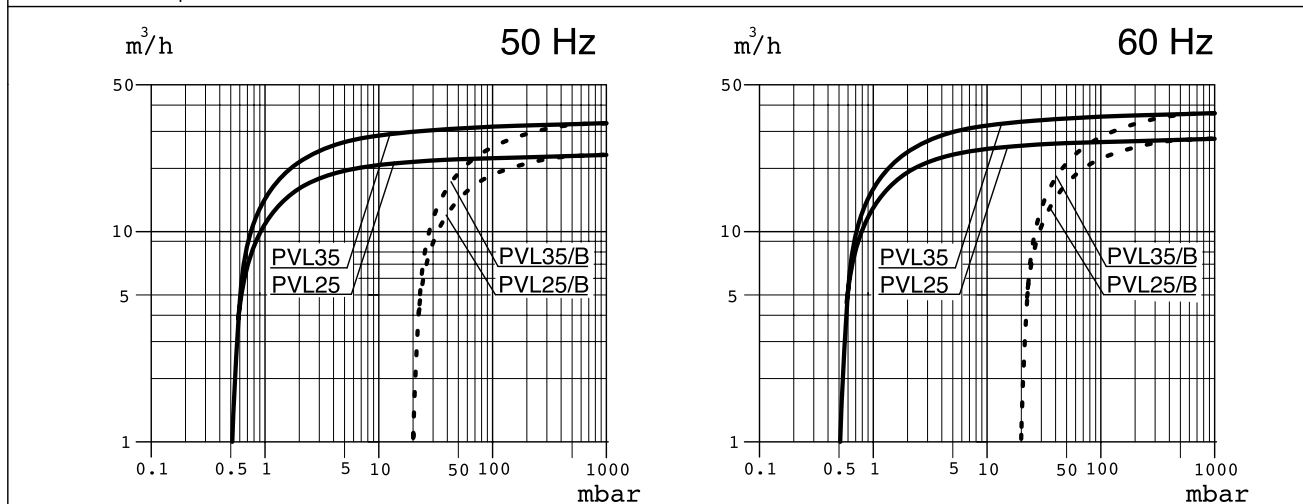
E

A	Aspirazione	Inlet	Aspiration	Einlass	Aspiración
B	Scarico aria	Air outlet	Sortie de l'air	Luftsauslass	Salida de aire
C	Entrata aria raffreddamento	Cooling air inlet	Entrée air refroidissement	Kühlluftseintritt	Entrada aire refrigeración
D	Uscita aria raffreddamento	Cooling air outlet	Sortie air refroidissement	Kühlluftsaustritt	Salida aire refrigeración
E	Tappo carico olio	Oil filling plug	Bouchon remplissage huile	Öleinfüllschraube	Tapón carga de aceite
F	Spia livello olio max.	Max. oil level sight glass	Contrôle niveau huile maximum	Höchstölschauglas	Mirilla aceite nivel máximo
F ¹	Spia livello olio min.	Min. oil level sight glass	Contrôle niveau huile minimum	Mindestölschauglas	Mirilla aceite nivel mínimo
G	Tappo scarico olio	Oil discharge plug	Bouchon vidange huile	Ölablassschraube	Tapón vaciado de aceite
H	Targhetta identificazione	Pump name plate	Plaque d'identification	Maschinenschild	Placa de identificación
I	Targhetta olii	Oil plate	Plaque huiles	Ölempfehlungsschild	Placa tipos de aceites
L	Targhetta rotazione	Rotation plate	Plaque rotation	Drehungsschild	Placa sentido de giro
M	Golfaro di sollevamento	Lifting eyebolt	Anneau de levage	Aufhebenöschraube	Gancho de levantamiento
N	Zavorratore	Gas ballast valve	Lest d'air	Gasballastventil	Valvula gas-ballast

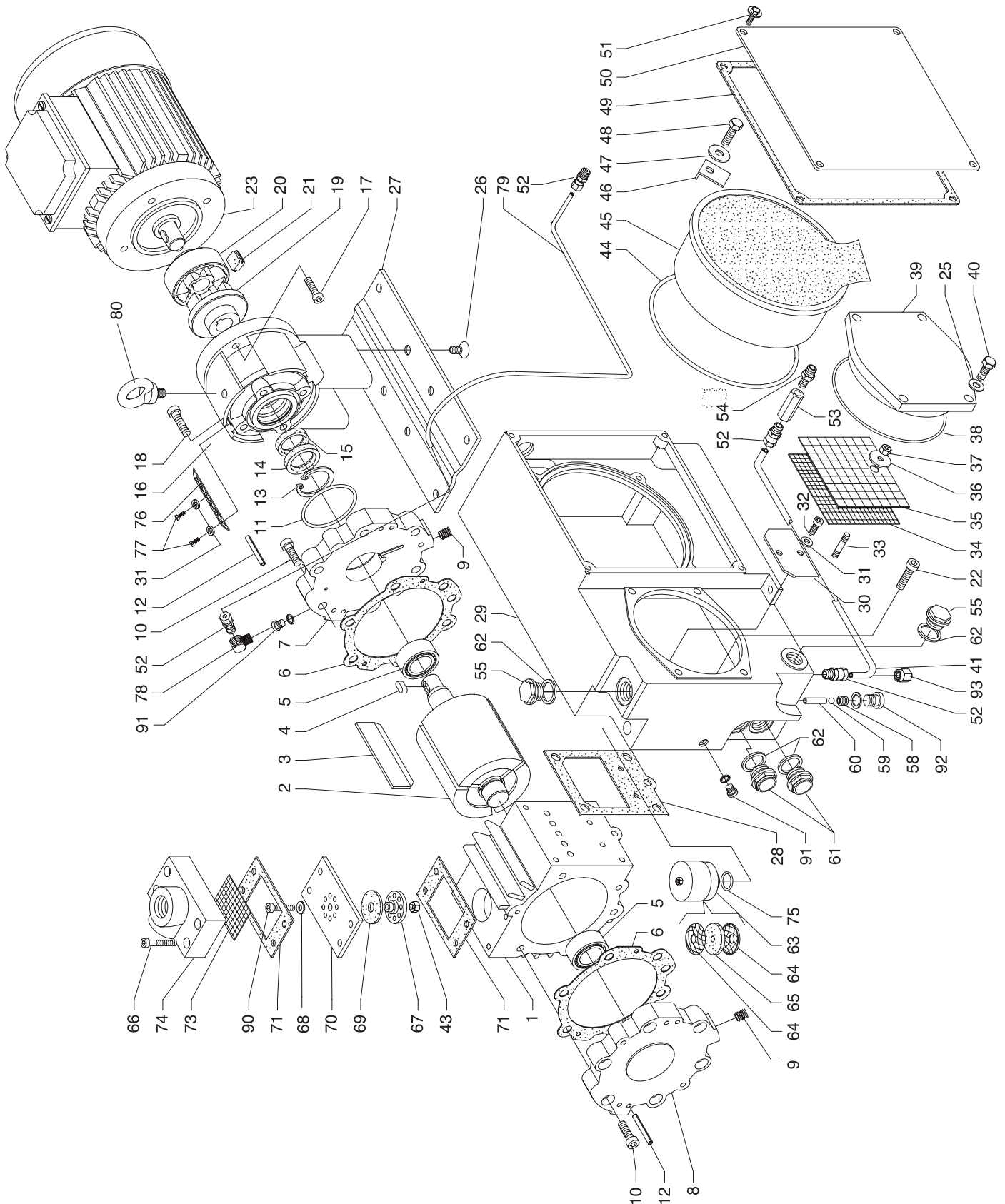
		PVL25	PVL25/B	PVL35	PVL35/B
Portata nominale* Nominal capacity* Débit nominal* Caudal nominal* Nennensaugvermögen*	m ³ /h	50Hz	25		35
		60Hz	30		42
Portata effettiva* Effective capacity* Débit effectif* Caudal efectivo* Effektives Saugvermögen*	m ³ /h	50Hz	23		32
		60Hz	28		38
Pressione finale*(assoluta) Ultimate pressure* (abs.) Vide final* (abs.) Presión final* (abs.) Enddruck* (abs.)	mbar	0.5		0.5	20
	Pa	50		50	2000
Numero di giri Revolutions number Numéro de révolutions Velocidad de giro Drehzahl	min. ⁻¹	50Hz	1400		
		60Hz	1700		
Potenza motore # Motor power # Puissance moteur # Potencia motor # Motorleistung #	Kw	50Hz	~3	0.75	0.75
			~1	0.75	1.1
		60Hz	~3	0.75	1.1
			~1	1.1	1.1
Caratteristiche motore elettrico Electric motor characteristics Caractéristiques moteur électrique Características motor eléctrico Elektromotoreigenschaften		50Hz	~3	IM B14 230/400 V ±10%	
			~1	IM B14 230 V ±10%	
		60Hz	~3	IM B14 275/480 V ±10%	
			~1	IM B14 275 V ±10%	
Livello di pressione acustica Sound pressure level Niveau de pression acoustique Nivel de presión acústica Schalldruckpegel	dB(A) (Pr EN 12076)	50Hz	67		68
		60Hz	68		69
Carica olio Oil charge Charge d'huile Carga de aceite Ölfüllmenge	l	1.5			1.5
Peso totale Total weight Poids total Peso total Totales Gewicht	Kg	50Hz	~3	38	38
			~1	39	42.5
		60Hz	~3	38	40
			~1	42.5	42.5
Peso senza motore Weight without motor Poids sans moteur Peso sin motor Gewicht ohne Motor	Kg	28			28

*Secondo normativa PNEUROP 6602.
*According to Pneurop standard 6602.
*Selon la norme Pneurop 6602.
*Según la normativa Pneurop 6602.
*Nach der Pneurop Norm 6602.

#Valido per temperature fino a 40°C e altitudini inferiori a 1000 m.
#Valid for temperatures up to 40°C and altitudes lower than 1000 m.
#Valable pour températures jusqu'à 40°C et pour altitudes inférieures à 1000 m.
#Válido para temperaturas hasta 40°C y altitudes inferiores a 1000 m.
#Gültig für Temperaturen bis 40°C und für Höhen weniger als 1000 m.



Technical data and parts lists
ENG



POS.		DESCRIPTION	Q.TA'	
			PVL	PVL/B
1		Body of pump	1	
2		Rotor	1	
3		Vane	3	
4		6x15 Key	1	
5		NA4905 Needle bearing	2	
6	G	Paper gasket	2	
7		Motor side cover	1	
8		External side cover	1	
9		1/8" G Conical plug	2	
10		M8x25 Hex. socket head screw	12	
11	G	O Ring n. 158	1	
12		Ø5x24 Pin	4	
13		Ø40 Retaining ring for bores	1	
14	G	25-38-7 Viton seal ring	1	
15	G	25-35-7 Viton seal ring	1	
16		Sleeve	1	
17		M6x25 Hex. socket head screw	4	
18		M8x30 Hex. socket head screw	4	
19		Male coupling half	1	
20		Female coupling half	1	
21	R	Coupling rubber insert	4	
22		M8x35 Hex. socket head screw	4	
23		Electric motor	1	
25		Ø8 Washer	4	
26		M8x16 Flathead screw	4	
27		Base plate	1	
28	G	Pump - tank gasket	1	
29		Tank	1	
30		Plate	1	
31		Ø6 Washer	4	
32		M6x16 Hex. socket head screw	2	
33		M6x14 Stud bolt	2	
34		Micro - stretched sheet	1	
35		Stretched sheet	1	
36		Ø6x24 Washer	2	
37		M6 Nut	2	
38	G	O Ring n. 4500	1	
39		Left tank cover	1	
40		M8x20 Hex. screw	4	
41		Pipe for oil recovery	1	0

POS.		DESCRIPTION	Q.TA'	
			PVL	PVL/B
43		M6 Locknut	1	
44	G	O Ring n. 4650	1	
45	R	Oil separator	1	
46		Angle	4	
47		Ø8x24 Washer	4	
48		M8x25 Hex. screw	4	
49	G	Right tank cover gasket	1	
50		Right tank cover	1	
51		M6x12 Hex. screw flanged-galvanized	4	
52		1/8" Straight union	2	3
53		1/8" G No - return valve	1	0
54		1/8"-1/8" Conical nipple	1	0
55		1/2" Plug	2	
58		1/8" G Drilled plug	1	
59		Stainless steel 1/42 ball	1	
60		Ø6/4x25 Pipe	1	
61		1/2" G Oil sight glass	2	
62	G	1/2" G Washer	4	
63		3/8" G Gas ballast valve	1	
64		Ø 34 Plate disk	2	
65	R	Ø34/7,5x4 Felt disk	1	
66		M6x35 Hex. socket head screw	4	
67		Support valve disk	1	
68		Ø6 Al washer	1	
69	G	Ø36x10x2 Rubber disk	1	
70		Suction body valve	1	
71	G	Suction gasket	2	
72		Ø6 Lock washer	1	
73		54x41 Filtering disk	1	
74		Inlet	1	
75	G	O ring n. 119	1	
76		Protection plate	1	
77		M6x12 Hexagon screw	2	
78		1/8" Low vacuum Ø0,8 reduction	0	1
79		PVL/B Pipe for oil recovery	0	1
80		M8 Eyebolt	1	
90		M6x25 Hex.socket head screw galvanized	1	
91		1/8" Plug + washer	2	1
92		1/4" Plug + washer	1	
93		Ø4 Biconical plug	0	1

PVR Srl **SEDE LEGALE E AMMINISTRATIVA:**

Via Santa Vecchia, 107 - 23868 Valmadrera (LC), Italy
T +39 0341 1918 51 - F +39 0341 1918 599
info@pvr.it - www.pvr.it

UNITÀ LOCALE:

Via IV Novembre, 104F
23868 Valmadrera (LC), Italy