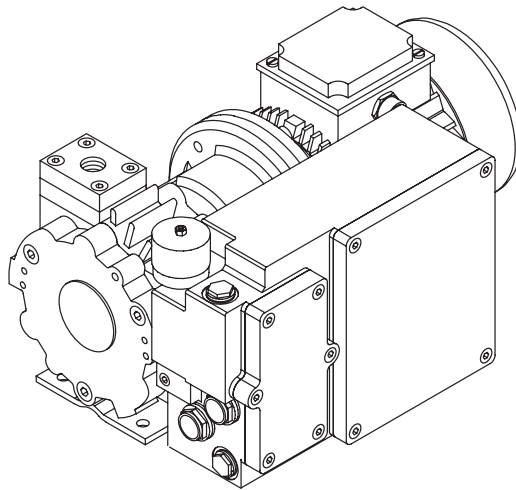


**PVL 10 - PVL 10/B**  
**PVL 15 - PVL 15/B**  
*Lubricated vane  
vacuum pump*

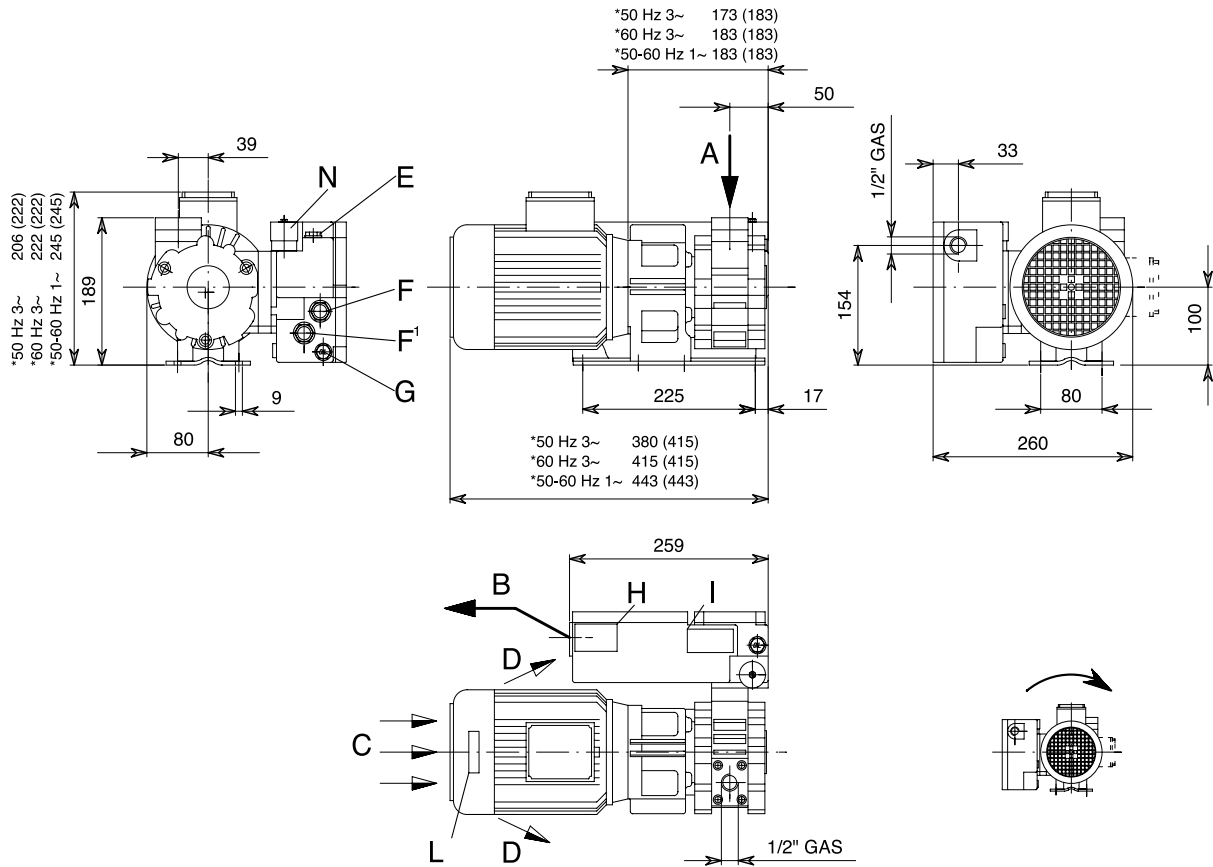


**Technical data  
and parts lists**

Publication Number:  
**RDT 705.01 December 2017**

# Technical data and parts lists

## ENG



\*Misure soggette a variazioni in funzione della marca del motore

\*Die Maße können auf Grund vom Motorzeichen ändern

\*Dimensions subject to changes depending on the motor brand

\*Medidas sujetas a variación en función de la marca del motor

\*Données sujettes aux variations en fonction de la marque du moteur

I

GB

F

D

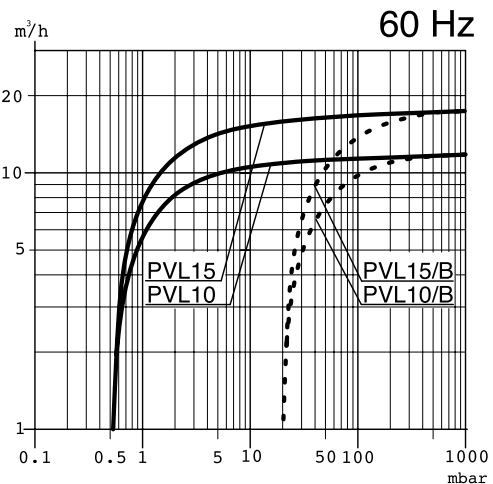
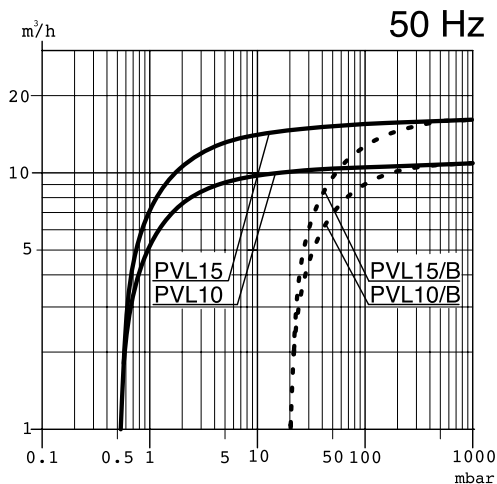
E

A	Aspirazione	Inlet	Aspiration	Einlass	Aspiración
B	Scarico aria	Air outlet	Sortie de l'air	Luftauslass	Salida de aire
C	Entrata aria raffreddamento	Cooling air inlet	Entrée air refroidissement	Kühlluftseintritt	Entrada aire refrigeración
D	Uscita aria raffreddamento	Cooling air outlet	Sortie air refroidissement	Kühlluftsaustritt	Salida aire refrigeración
E	Tappo carico olio	Oil filling plug	Bouchon remplissage huile	Öleinfüllschraube	Tapón carga de aceite
F	Spia livello olio max.	Maximum oil level sight glass	Contrôle niveau huile maximum	Höchstölschauglas	Mirilla aceite nivel máximo
F'	Spia livello olio min.	Minimum oil level sight glass	Contrôle niveau huile minimum	Mindestölschauglas	Mirilla aceite nivel mínimo
G	Tappo scarico olio	Oil discharge plug	Bouchon vidange huile	Ölablassschraube	Tapón vaciado de aceite
H	Targhetta identificazione	Pump name plate	Plaquette d'identification	Maschinenschild	Placa de identificación
I	Targhetta olii	Oil plate	Plaquette huiles	Ötempfehlungsschild	Placa tipos de aceites
L	Targhetta rotazione	Rotation plate	Plaquette rotation	Drehungsschild	Placa sentido de giro
N	Zavorratore	Gas ballast valve	Lest d'air	Gasballastventil	Valvula gas-ballast

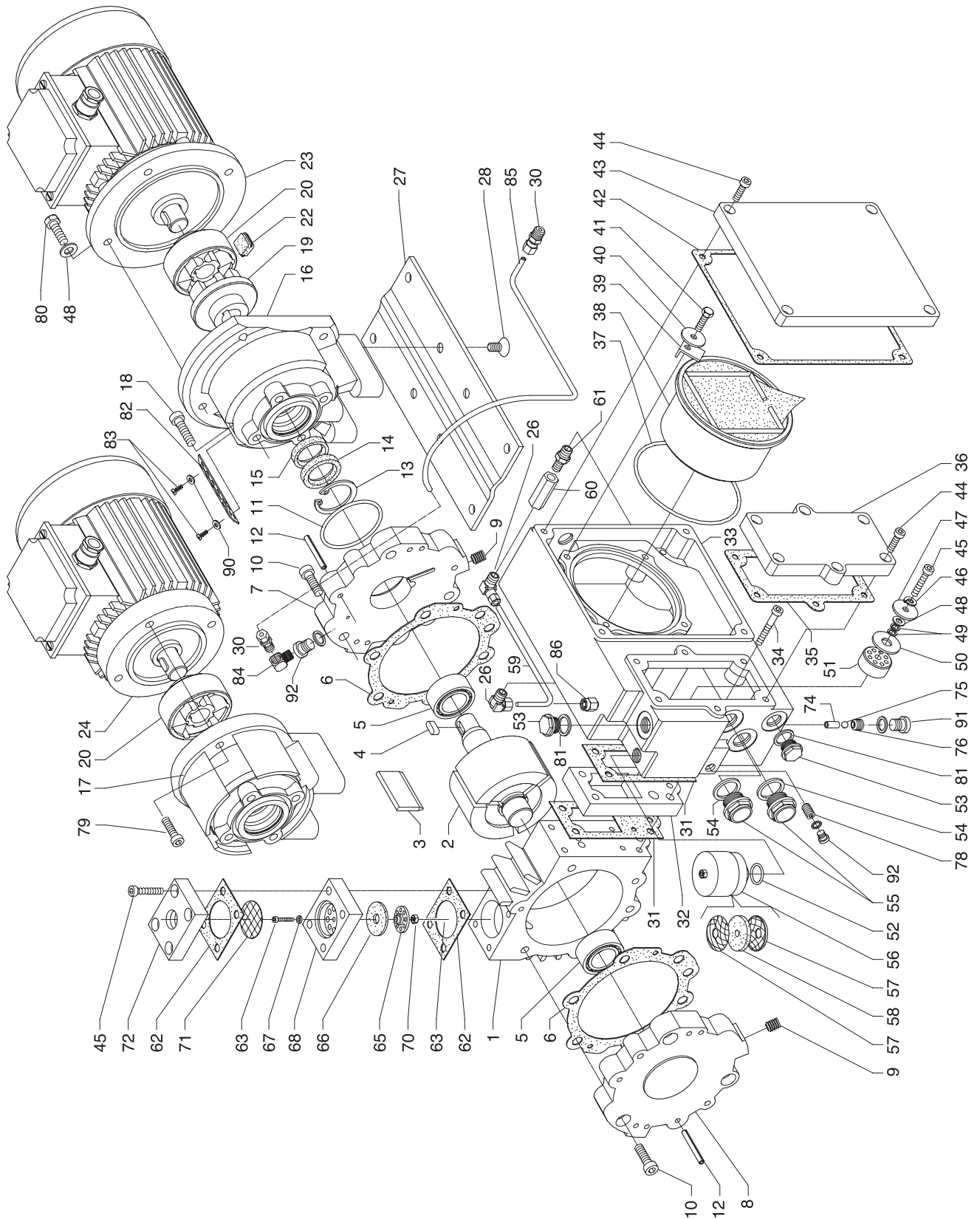
		PVL10	PVL10/B	PVL15	PVL15/B
Portata nominale* Nominal capacity* Débit nominal* Caudal nominal* Nennensaugvermögen*	m <sup>3</sup> /h	50Hz	12		17
		60Hz	14		20
Portata effettiva* Effective capacity* Débit effectif* Caudal efectivo* Effektives Saugvermögen*	m <sup>3</sup> /h	50Hz	10		15
		60Hz	12		18
Pressione finale*(assoluta) Ultimate pressure* (abs.) Vide final* (abs.) Presión final* (abs.) Enddruck* (abs.)	mbar	0.5	20	0.5	20
	Pa	50	2000	50	2000
Numero di giri Revolutions number Número de révolutions Velocidad de giro Drehzahl	min. <sup>-1</sup>	50Hz	1350		
		60Hz	1620		
Potenza motore # Motor power # Puissance moteur # Potencia motor # Motorleistung #	Kw	50Hz	~3	0.37	0.55
			~1	0.55	0.75
		60Hz	~3	0.55	0.75
			~1	0.55	0.75
Caratteristiche motore elettrico Electric motor characteristics Caractéristiques moteur électrique Características motor eléctrico Elektromotoreigenschaften		50Hz	~3	IM B5 230/400 V ±10%	IM B14 230/400 V ±10%
			~1	IM B14 230 V ±10%	
		60Hz	~3	IM B14 275/480 V ±10%	
			~1	IM B14 275 V ±10%	
Livello di pressione acustica Sound pressure level Niveau de pression acoustique Nivel de presión acústica Schalldruckpegel	dB(A) (Pr EN 12076)	50Hz	65		66
		60Hz	66		67
Carica olio Oil charge Charge d'huile Carga de aceite Ölfüllmenge	l	1			1
Peso totale Total weight Poids total Peso total Totales Gewicht	Kg	50Hz	~3	23	25
			~1	25.7	27
		60Hz	~3	25.7	26
			~1	26.7	27
Peso senza motore Weight without motor Poids sans moteur Peso sin motor Gewicht ohne Motor	Kg	16.7			16

\*Secondo normativa PNEUROP 6602.  
\*According to Pneurop standard 6602.  
\*Selon la norme Pneurop 6602.  
\*Según la normativa Pneurop 6602.  
\*Nach der Pneurop Norm 6602.

#Valido per temperature fino a 40°C e altitudini inferiori a 1000 m.  
#Valid for temperatures up to 40°C and altitudes lower than 1000 m.  
#Valable pour températures jusqu'à 40°C et pour altitudes inférieures à 1000 m.  
#Válido para temperaturas hasta 40°C y altitudes inferiores a 1000 m.  
#Gültig für Temperaturen bis 40°C und für Höhen weniger als 1000 m.



Technical data and parts lists  
ENG



POS.		DESCRIPTION	Q.TA'	
			PVL	PVL/B
1		Body of pump	1	
2		Rotor	1	
3		Vane	3	
4		6x15 key	1	
5		NA4905 Needle bearing	2	
6	G	Paper gasket	2	
7		Motor side cover	1	
8		External side cover	1	
9		1/8" G Conical plug	2	
10		M8x25 Hex. socket head screw	6	
11	G	O Ring No.158	1	
12		Ø5x24 Pin	4	
13		Ø40 Retaining ring for bores	1	
14	G	25-38-7 Viton seal ring	1	
15	G	25-35-7 Viton seal ring	1	
16		IM B5 Sleeve	1	
17		IM B14 Sleeve	1	
18		M8x30 Hex. socket head screw	4	
19		Male coupling half	1	
20		Female coupling half	1	
22	R	Coupling rubber insert	4	
23		IM B5 Electric motor	1	
24		IM B14 Electric motor	1	
26		M.1/8" 4/2 Union elbow	2	1
27		Base plate	1	
28		M8x16 Flathead screw	4	
30		1/8" 4/2 straight union	0	2
31	G	Pump - tank gasket	2	
32		Pump - tank spacer	1	
33		Tank	1	
34		M6x60 hex. socket head screw	4	
35	G	Left tank cover gasket	1	
36		Left tank cover	1	
37	G	O Ring No.4425	1	
38	R	Oil separator	1	
39		Angle	4	
40		Ø6x24 washer	4	
41		M6x20 hex. screw	4	
42	G	Right tank cover gasket	1	
43		Right tank cover	1	
44		M6x20 hex. socket head screw	10	

POS.		DESCRIPTION	Q.TA'	
			PVL	PVL/B
45		M6x30 hex. socket head screw	5	
46		Ø6 Lock washer	1	
47		Ø25x6,1 th.2 Alluminium washer	1	
48		Ø6 Washer	5	
49		Ø10x6,1 th.1,5 Brass washer	2	
50	G	Ø28/10x2 Rubber disk	1	
51		Discharge body valve	1	
52	G	O Ring No.119	1	
53		3/8" G Plug	2	
54	G	1/2" G Washer	2	
55		1/2" G Oil sight glass	2	
56		3/8" G Gas ballast valve	1	
57		Ø34 Plate disk	2	
58	R	Ø34/7,5x4 Felt disk	1	
59		Pipe for oil recovery	1	0
60		1/8" No-return valve	1	0
61		1/8" G Conical nipple	1	0
62	G	Suction gasket	2	
63		M4x20 hex. socket head screw galvanized	1	
65		Support valve disk	1	
66	G	Ø30/7x2 rubber disk	1	
67		Ø4 Al washer	1	
68		Suction body valve	1	
70		M4 Locknut	1	
71		Ø 35 Filtering disk	1	
72		Inlet	1	
74		Ø6/4x13 pipe	1	
75		Stainless steel 1/4" ball	1	
76		1/8" G Drilled plug	1	
78		M8x10 Dowel screw	4	
79		M6x25 hex. socket head screw	4	
80		M6x25 hex. screw	2	
81	G	3/8" washer	2	
82		Protection plate	1	
83		M6x12 hexagon screw galvanized	2	
84		1/8" Low vacuum 0,5 reduction	0	1
85		PVL/B Pipe for oil recovery	0	1
86		Ø4 Biconical plug	0	1
90		Ø6 washer galvanized	2	
91		1/4" G Plug + washer	1	
92		1/8" G Plug + washer	2	1

**PVR** Srl **SEDE LEGALE E AMMINISTRATIVA:**

Via Santa Vecchia, 107 - 23868 Valmadrera (LC), Italy  
T +39 0341 1918 51 - F +39 0341 1918 599  
info@pvr.it - www.pvr.it

**UNITÀ LOCALE:**

Via IV Novembre, 104F  
23868 Valmadrera (LC), Italy