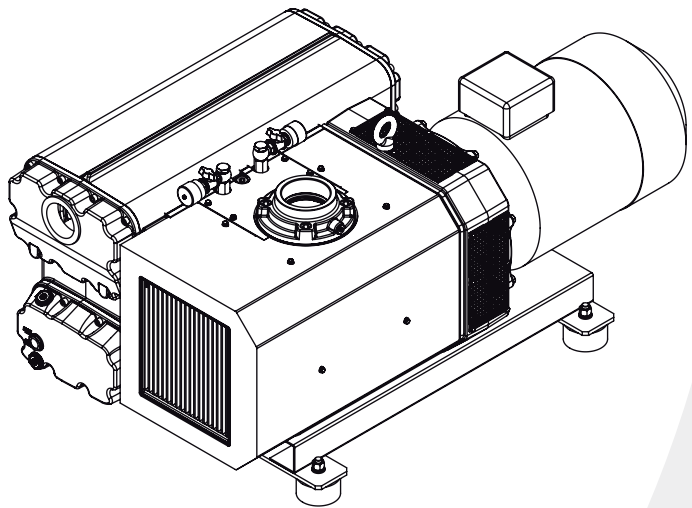




# EU650 H

*Lubricated vane  
vacuum pump*

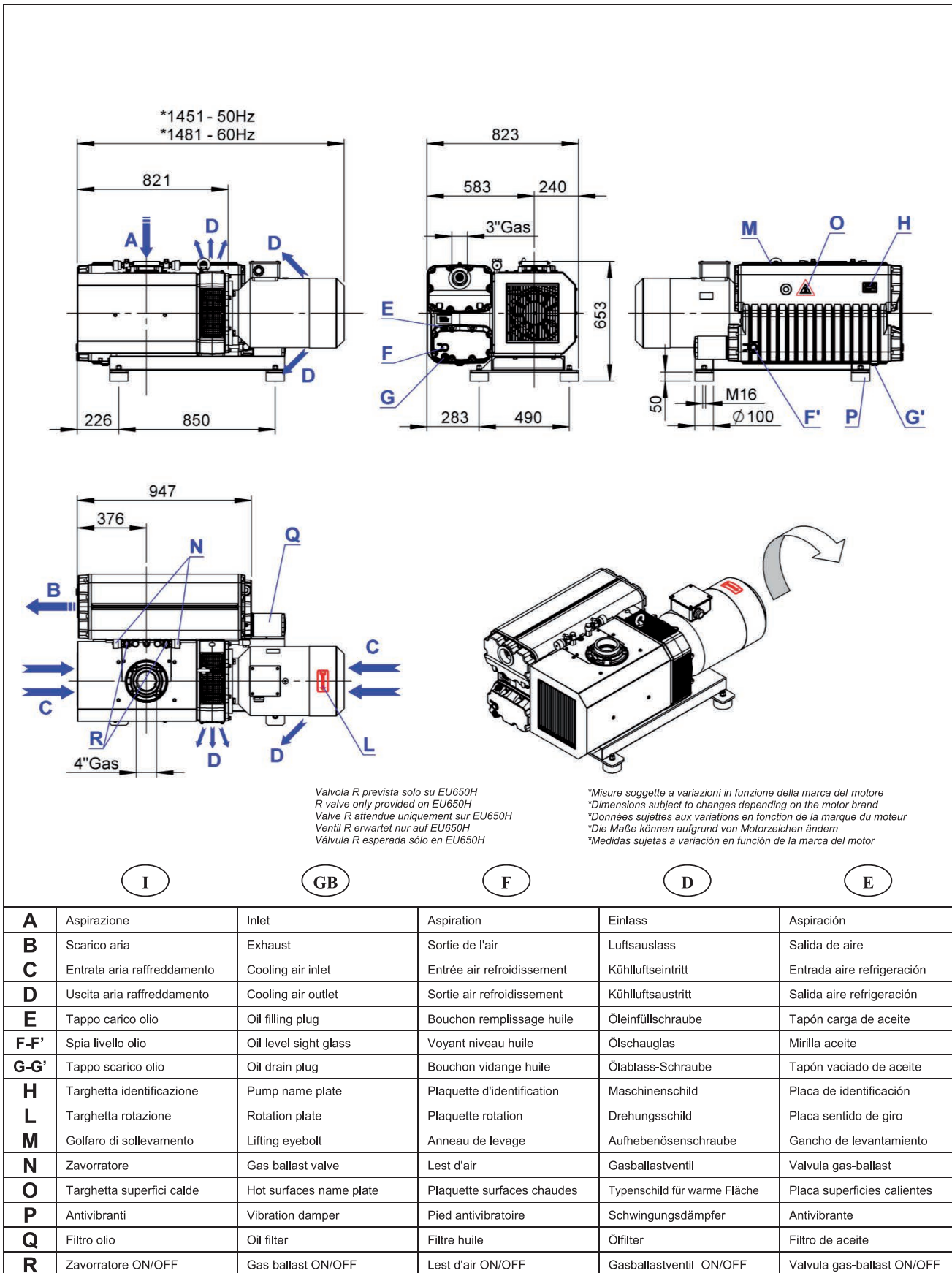


## *Technical data and parts lists*

Publication Number:  
**RDT 4442.03 October 2018**

# Technical data and parts lists

## ENG

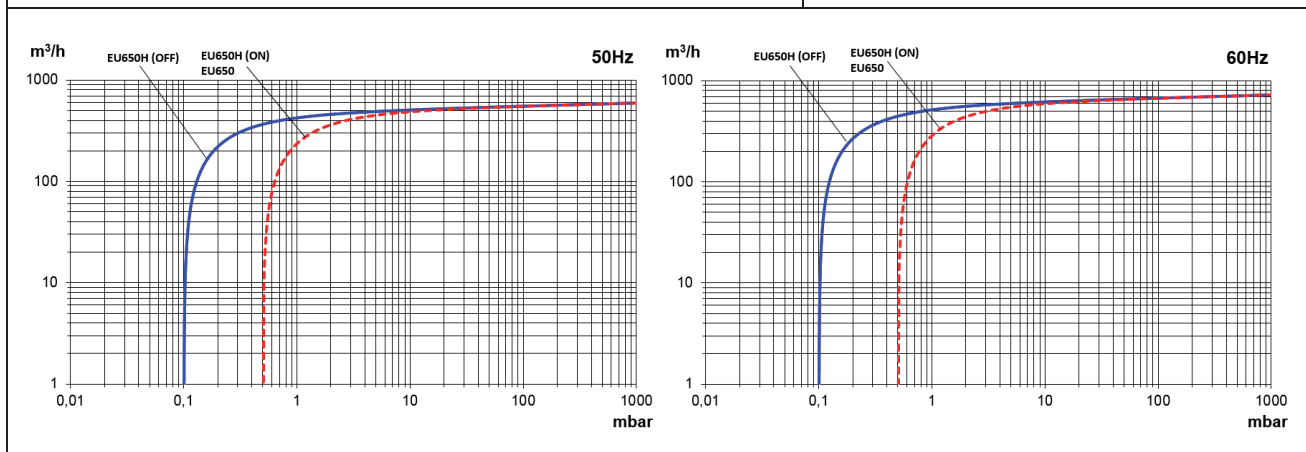


		EU650H	
Portata nominale* Nominal speed* Débit nominal* Nennsaugvermögen* Caudal nominal*	m <sup>3</sup> /h	50Hz	660
		60Hz	790
Pressione limite totale con zavorratore chiuso* (OFF) Ultimate total pressure with gas ballast valve closed* (OFF) Vide final total avec lest d'air fermé * (OFF)	mbar	≤ 0,1	
Grenzdruck bei geschlossenem Gasballastventil * (OFF) Presión final total con valvula gas-ballast cerrada * (OFF)	Pascal	≤ 10	
Pressione limite totale con zavorratore aperto* (ON) Ultimate total pressure with gas ballast valve open* (ON) Vide final total avec lest d'air ouvert *(ON)	mbar	≤ 0,5	
Grenzdruck bei offenem Gasballastventil * (ON) Presión final total con valvula gas-ballast abierta * (ON)	Pascal	≤ 50	
Potenza motore # / Numero di giri Motor power # / Rotational speed Puissance moteur # / Numéro de révolutions		50Hz ~3	15 kW - 1000 min <sup>-1</sup>
Motorleistung # / Drehzahl Potencia motor # / Velocidad de giro		60Hz ~3	18,5 kW - 1200 min <sup>-1</sup>
*2 Caratteristiche motore elettrico *2 Electric motor characteristics *2 Caractéristiques moteur électrique *2 Motoreigenschaften *2 Características motor eléctrico		50Hz ~3	IE2 - IM B5 - Δ400/Y690 V
		60Hz ~3	IE2 - IM B5 - Δ460 V IE3 - UL CSA - IM B5 - YY230/Y460 V IE2 - IM B5 - Δ220/Y380 V
Livello di pressione acustica (senza zavorratore) Sound pressure level (without gas ballast valve) Niveau de pression acoustique (sans lest d'air) Schalldruckpegel (ohne Gasballastventil) Nivel de presión acústica ( sin valvula gas-ballast)	dB(A) EN ISO 2151	50Hz	73
		60Hz	76
Pressione max vapore H <sub>2</sub> O ammissibile Water vapour tolerance Pression de vapeur d'eau maximale admissible Wasserdampfverträglichkeit Presión máxima de vapor de agua admisible	mbar	30	
Quantità vapore H <sub>2</sub> O ammissibile Water vapour pumping capacity Capacité de pompage de la vapeur d'eau Wasserdampfkapazität Cantidad de vapor de agua admisible	kg/h	13	
Carica olio Oil capacity Charge d'huile Öfüllmenge Carga de aceite	l	22	
Peso totale / senza motore Total weight / Without motor Poids total / Sans moteur Gesamtgewicht / Gewicht ohne Motor Peso total / Sin motor	kg	50Hz	582 / 392
		60Hz	612 / 392

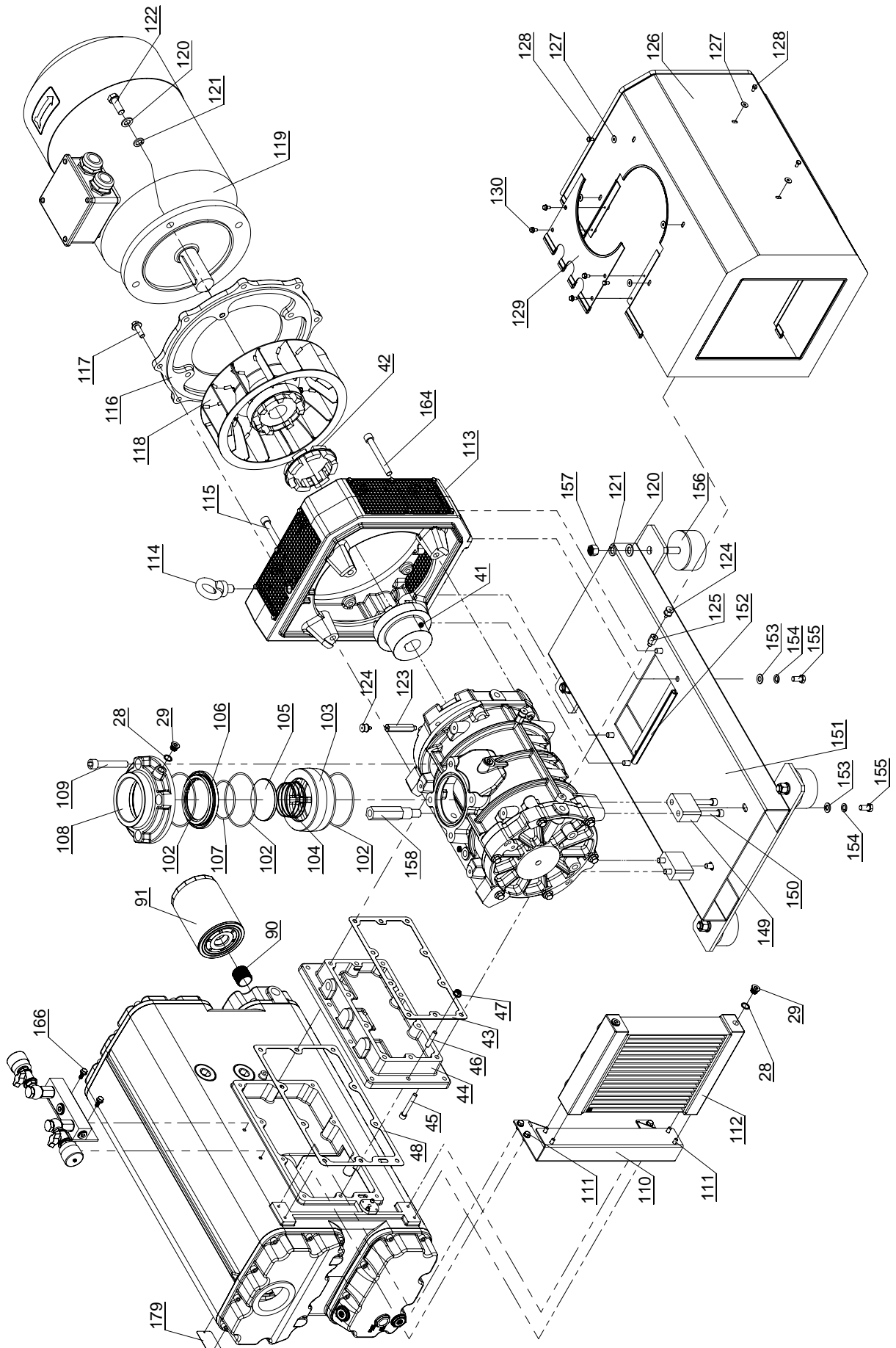
\*Secondo accordi PNEUROPE 6602.  
\*According to Pneurop standard 6602.  
\*Selon la norme Pneurop 6602  
\*Nach der Pneurop Norm 6602..  
\*Según la normativa Pneurop 6602.

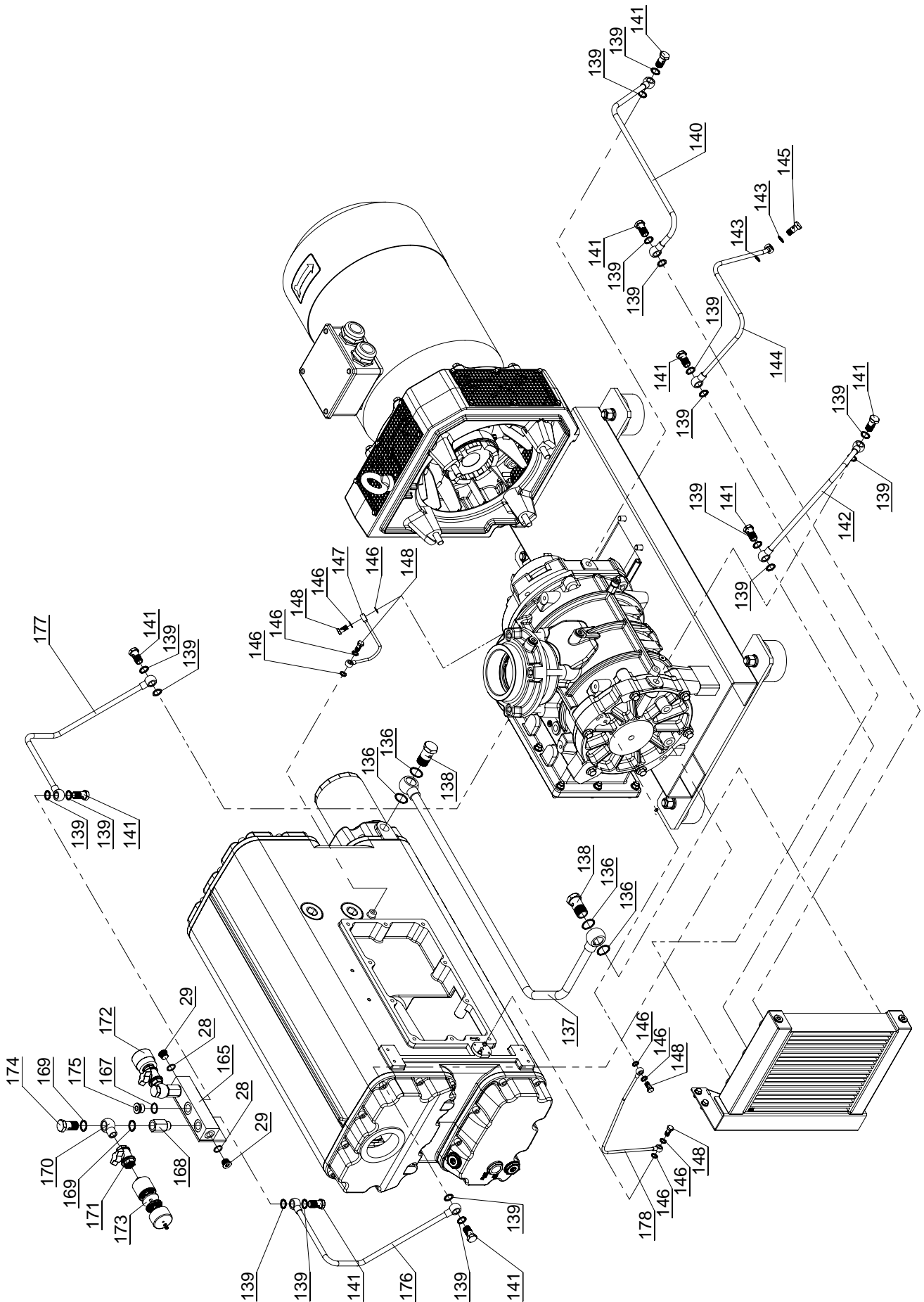
#Valido per temperature fino a 40°C e altitudini inferiori a 1000 m.  
#Valid for temperatures up to 40°C and altitudes lower than 1000 m.  
#Valable pour températures jusqu'à 40°C et pour altitudes inférieures à 1000 m.  
#Gültig für Temperaturen bis 40°C und für Höhen weniger als 1000 m.  
#Válido para temperaturas hasta 40°C y altitudes inferiores a 1000 m.

\*2 Da definire in funzione del paese d'utilizzo  
\*2 Depending on the Country of use  
\*2 A établir selon le Pays où il sera employé  
\*2 Festzulegen aufgrund von Nutzungsland  
\*2 Definir en función del país de utilización



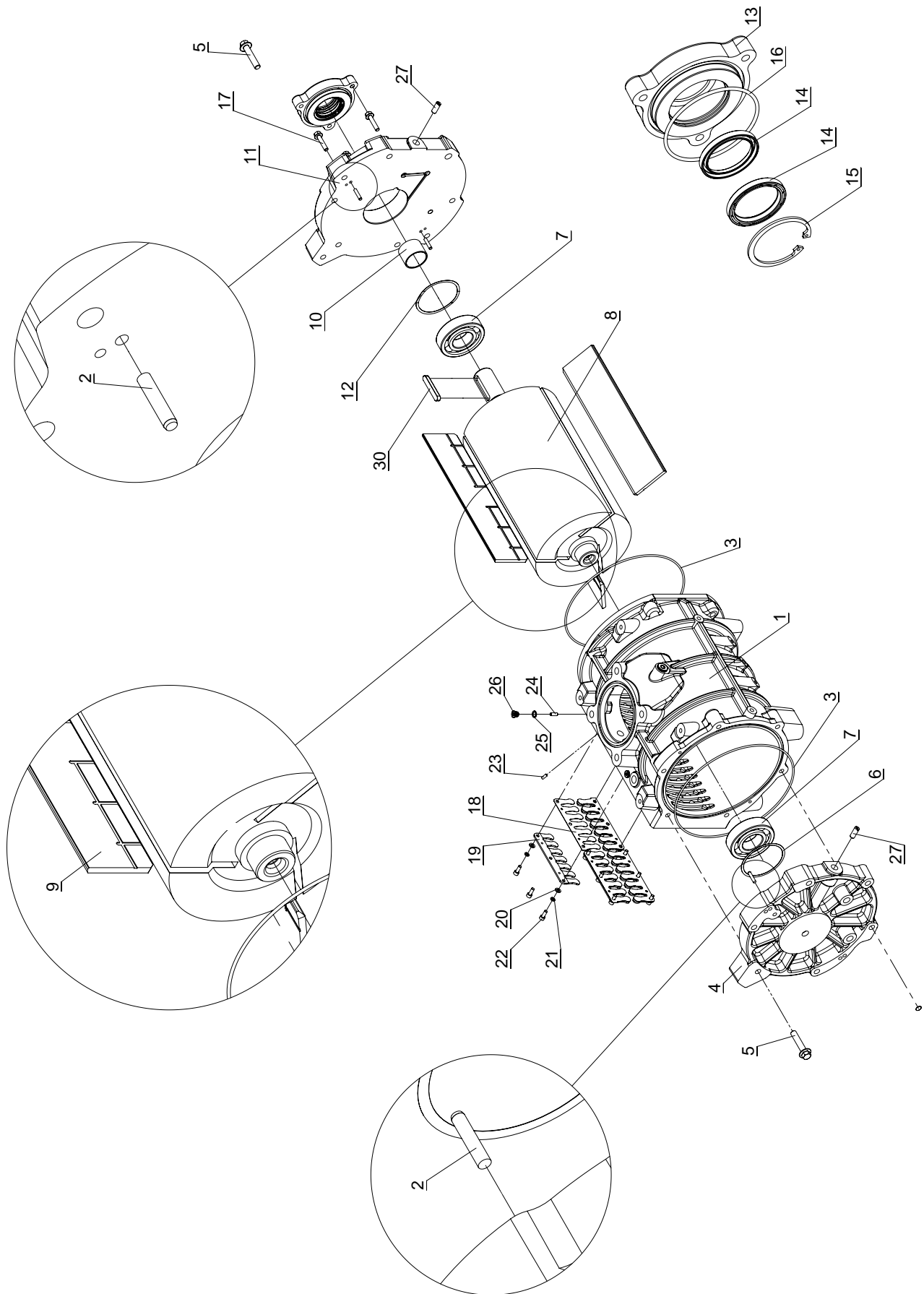
Technical data and parts lists  
ENG

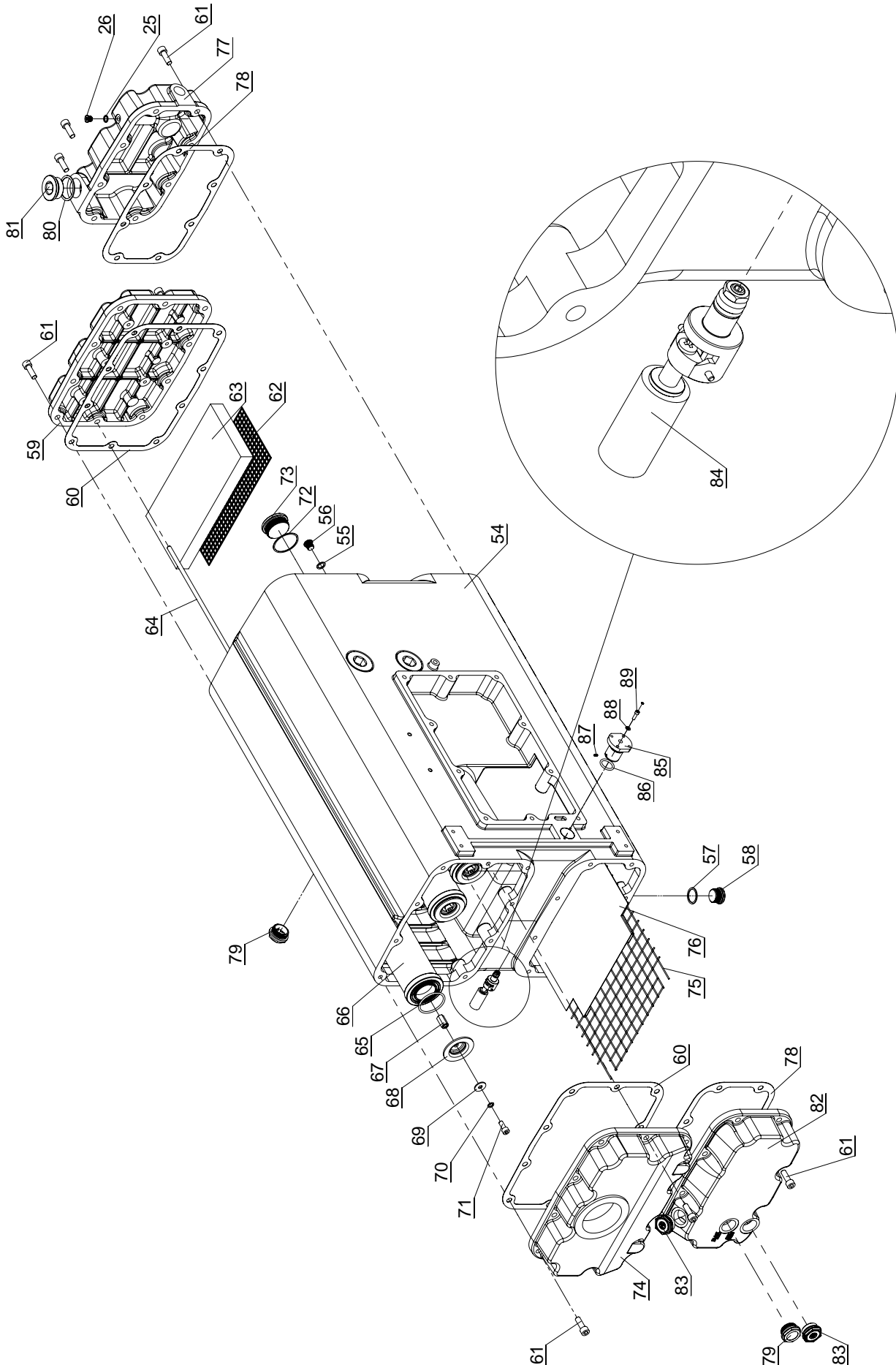




**RDT 4442.03 EU 650 H**

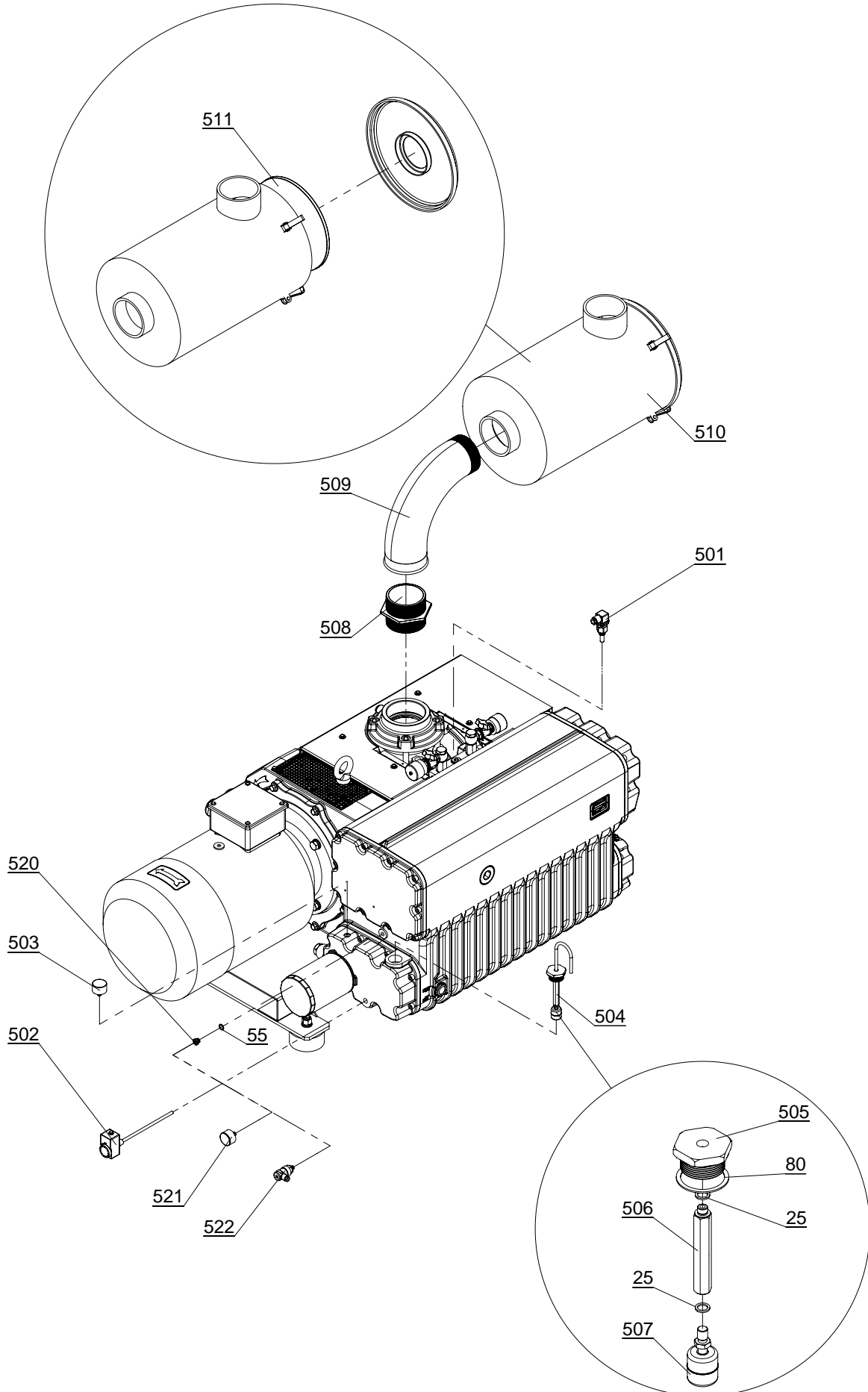
Technical data and parts lists  
**ENG**





**RDT 4442.03 EU 650 H**

Technical data and parts lists  
ENG





POS.		DESCRIPTION	Q.TÀ
1		Body of pump	1
2		Ø6x30 Pin	4
3	G	O Ring 41050	2
4		External side cover	1
5		M12x60 Hex. Screw (flanged and knurled)	11
6		D100 Space washer	1
7	R	6309 Ball bearing	2
8		Rotor	1
9	R	Vane	3
10		IR 45x50x35 Bushing	1
11		Motor side cover	1
12		Shim ring	1
13		Oil seal ring cover	1
14	G	BABSL 50x65x7 Seal ring	2
15		Seeger	1
16	G	O Ring 4400	1
17		M8x40 Hex. Screw (flanged and knurled)	3
18		Plate	4
19		Plate support	4
20		Ø6 Washer	12
21		Ø6 Lock washer	12
22		M6 x 16 Hex. Socket head screw	12
23		M5x12 Hex. Socket set screw	6
24		M6x16 Hex. Socket set screw	4
25		1/8"G Al Washer	7
26		1/8"G Plug	5
27		M10x25 Slotted headless set screw	2
28		3/8"G Al Washer	7
29		3/8"G Plug	7
30		A 12x8x70 Key	1
41		Coupling half pump side	1
42	R	Elastic coupling insert	1
43	G	Body of pump-spacer gasket	1
44		Pump-tank spacer	1
45		M10x70 Hex. Socket head screw	10
46		M10x35 Stud bolt	10
47		M10 Nut (flanged and knurled)	10
48	G	Tank-spacer gasket	1
54		Tank	1
55		1/4"G Al Washer	1
56		1/4"G Plug	1
57		3/4"G Al Washer	1
58		3/4"G Plug	1
59		Motor side upper cover	1
60	G	Upper cover gasket	2
61		M10 x 35 Hex. Socket head screw	36
62		Demister support mesh	1
63		Tank demister	1
64		Stay bolt for exhaust filter	5
65	G	O Ring 4200	10
66	R	Exhaust filter	5
67		Exhaust filter stay bolt sleeve	5
68		Disk for exhaust filter	5
69		Ø8/24 Washer	5
70		Al ø8.4/13x1 Washer	5
71		M8 x 20 Hex. Socket head screw	5
72		1"1/2 G Al Washer	6
73		1"1/2 Gas Plug	6
74		External side upper cover	1
75		Tank mesh	1
76		Tank micro-stretched sheet	1
77		Motor side lower cover	1

# Technical data and parts lists

ENG

POS.		DESCRIPTION	Q.TÀ
78	G	Gasket for lower cover	2
79		1" Oil sight glass	2
80		1" 1/4G Al Washer	2
81		1"1/4G Plug	1
82		Ext. side lower tank cover	1
83		1"G Filling/discharge plug	2
84	R	Float valve	1
85		Float port	1
86	G	O Ring 4093	1
87		M4x8 Hex. Sock. Stud bolt	1
88		Ø5 Washer	2
89		M5x16 Hex. Socket head screw	2
90		1"1/4G Nipple	1
91	R	Oil filter	1
102	G	O Ring 4512	3
103		Inlet valve body	1
104		Helicoidal spring	1
105		Inlet valve plate	1
106		Inlet valve disk assembly	1
107	G	O Ring 4362	1
108		Inlet flange	1
109		M16x95 Hex. Socket head screw	4
110		Oil cooler support	1
111		M8x16 Hex. screw (flanged and knurled)	8
112		Oil cooler	1
113		Sleeve	1
114		M20 Eyebolt	1
115		M14 x 90 Hex. Socket head screw	3
116		Motor flange	1
117		M12x35 Hex. Screw (flanged and knurled)	8
118		Fan assembly	1
119		Electric motor	1
120		Ø16 Washer	8
121		ø16 Lock washer	8
122		M16x45 Hex. screw	4
123		Vibration damping foot extension (long)	4
124		Vibration damping foot	6
125		Vibration damping foot extension (short)	2
126		Casing assembly	1
127		Ø6 Washer	6
128		M6x12 Hex. head screw fully threaded	6
129		Casing cover	1
130		M6x12 Screw (flanged and knurled)	4
136		3/4"Gas Cu washer	4
137		Oil cooler-tank oil pipe	1
138		3/4"G Hollow bolt	2
139		3/8"G Cu washer	18
140		Motor side lubrication pipe	1
141		3/8"G Hollow bolt	9
142		Ext. Side lubrication pipe	1
143		1/4"G Cu washer	2
144		Central lubrication pipe	1
145		1/4"G Hollow bolt	1
146		1/8"G Cu washer	8
147		Oil pipe (outlet seal ring)	1
148		1/8"G Hollow bolt	4
149		Pump body support	2
150		M12x60 Hex. Socket head screw	4
151		Base-plate	1
152		Casing sheath	1
153		Ø12 Washer	6
154		Ø12 Lock washer	6
155		M12x25 Hex. head screw fully threaded	6
156		ø100 Vibration damping foot	4

POS.		DESCRIPTION	Q.TÀ
157		M16 Nut	4
158		Eyebolt extension	1
164		M14 x 120 Hex. Socket head screw	1
165		Distributor for gas ballast valve	1
166		M8x20 Hex. Screw (flanged and knurled)	2
167		1/2"G Al Washer	3
168		M/F 1/2" Extension	2
169		1/2"G Cu washer	4
170		1/2"G Banjo male	2
171		1/2"G Ball valve	2
172		1/2"G Gas ballast valve	2
173	R	1/2"G felt disk for gas ballast valve	
174		1/2"G Hollow bolt	2
175		1/2"G Plug	1
176		Gas ballast pipe (front side)	1
177		Gas ballast pipe (rear side)	1
178		Oil recovery pipe	1
179		Pump name plate	1

POS.		OPTIONALS	Q.TÀ
501		Safety temperature switch	1
502		Adjustable temperature switch	1
503		Vacuum gauge	1
504		Oil level switch assembly	1
505		Oil level switch port	1
506		Oil level switch extension	1
507		Oil level switch	1
508		4"G N8 Nipple	1
509		4"G M-F G4 Union fitting	1
510		Complete inlet filter	1
511	R	Filter element	1
520		A4/Z M-F 1/4" 1/8" reduction	1
521		Pressure gauge for exhaust filter	1
522		Pressure switch	1

**PVR** Srl **SEDE LEGALE E AMMINISTRATIVA:**

Via Santa Vecchia, 107 - 23868 Valmadrera (LC), Italy  
T +39 0341 1918 51 - F +39 0341 1918 599  
info@pvr.it - www.pvr.it

**UNITÀ LOCALE:**

Via IV Novembre, 104F  
23868 Valmadrera (LC), Italy