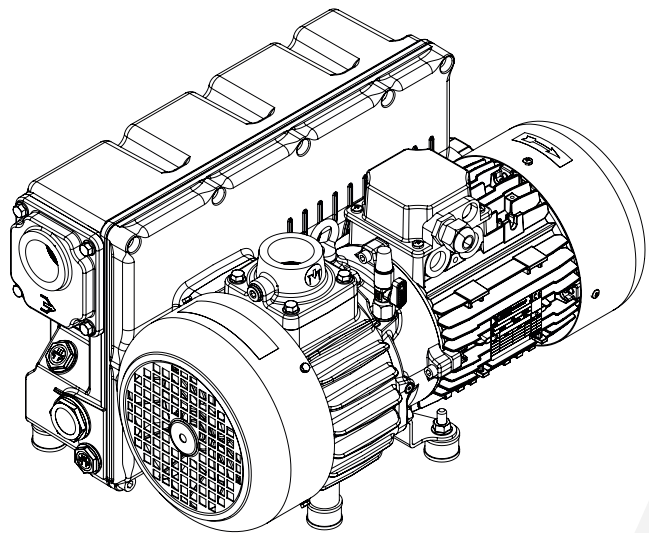




**EU 47M - EU 47M HWT
EU 67M - EU 67M HWT**
*Lubricated vane
vacuum pump*

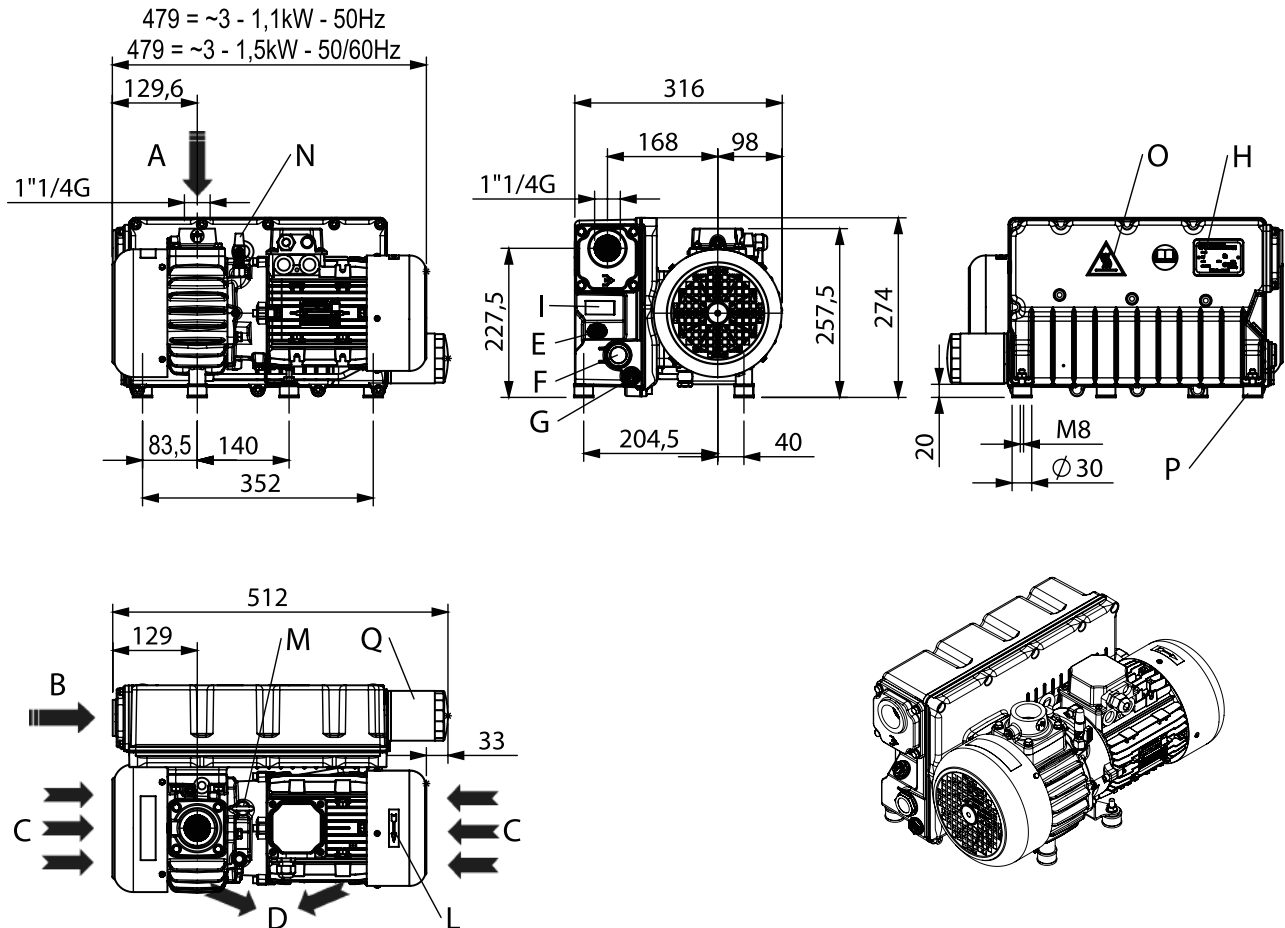


***Technical data
and parts lists***

Publication Number:
RDT 6061.PP0 June 2021

Technical data and parts lists
ENG

EU 47M - EU 47M HWT Overall dimensions and main parts



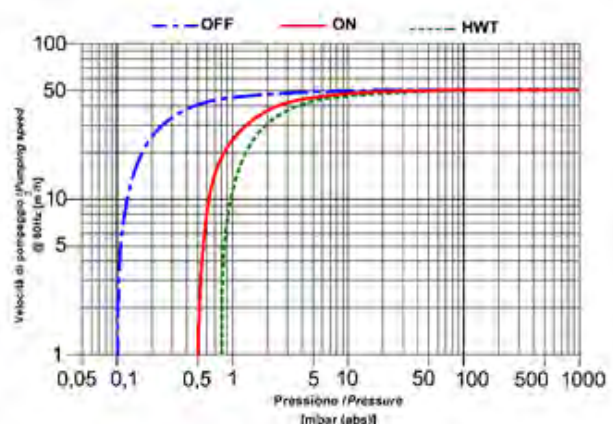
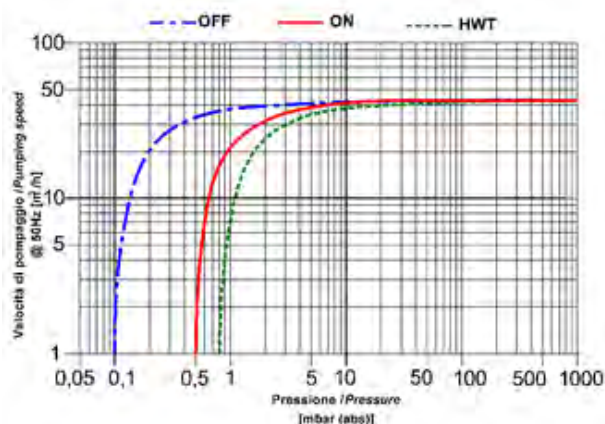
*Dimensions subject to changes depending on the motor brand

- | | |
|-----------------------------|----------------------------------|
| A Inlet | I Oil grade label |
| B Exhaust | L Rotation plate |
| C Cooling air inlet | M Lifting eyebolt |
| D Cooling air outlet | N Gas ballast valve |
| E Oil filling plug | O Hot surfaces name plate |
| F Oil sight glass | P Vibration damper |
| G Oil drain plug | Q Oil filter |
| H Pump name plate | |

2 EU47M - EU47M HWT - EU67M - EU67M HWT - RDT 6061.PPO

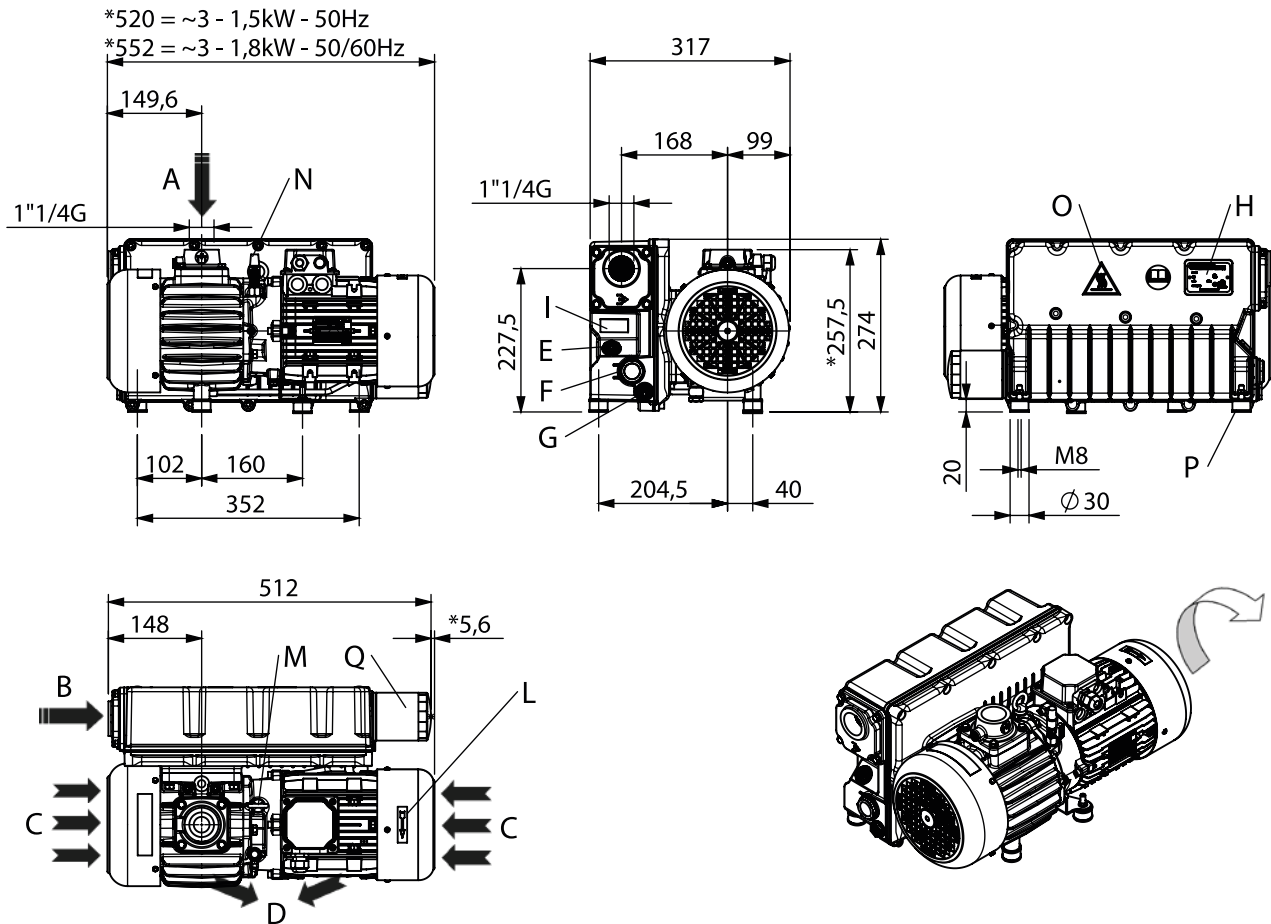
EU 47M - EU 47M HWT Technical characteristics

		EU47M	EU47M HWT
Portata nominale* Nominal speed* Débit nominal* Nennsaugvermögen* Caudal nominal*	m ³ /h	50Hz	50
		60Hz	56
Pressione limite totale con zavorratore chiuso* (OFF) Ultimate total pressure with gas ballast valve closed* (OFF) Vide final total avec lest d'air fermé* (OFF) Grenzdruck bei geschlossenem Gasballastventil* (OFF) Presión final total con valvula gas-ballast cerrada* (OFF)	mbar	≤ 0,1	
	Pascal	≤ 10	
Pressione limite totale con zavorratore aperto* (ON) Ultimate total pressure with gas ballast valve open* (ON) Vide final total avec lest d'air ouvert* (ON) Grenzdruck bei offenem Gasballastventil* (ON) Presión final total con valvula gas-ballast abierta* (ON)	mbar	≤ 0,3	
	Pascal	≤ 30	
Potenza motore # / Numero di giri Motor power # / Rotational speed Puissance moteur # / Numéro de révolutions Motorleistung # / Drehzahl Potencia motor # / Velocidad de giro	50Hz ~3	IEC - 1,1 kW - 1500 min ⁻¹	
	60Hz ~3	IEC - 1,5 kW - 1800 min ⁻¹	
Caratteristiche motore elettrico* ² Electric motor characteristics* ² Caractéristiques moteur électrique* ² Motoreigenschaften* ² Características motor eléctrico* ²	50Hz ~3	IEC - IM B5 Δ 230 V / Δ 400 V	
	60Hz ~3	IEC - IM B5 Δ 265 V / Δ 460 V IEC - IM B5 Δ 220-240 V / Δ 380-460 V cURus - IM B5 Δ 230 V / Δ 460 V	
Livello di pressione acustica Sound pressure level Niveau de pression acoustique Schalldruckpegel Nivel de presión acústica	dB(A) EN ISO 2151	50Hz	61
		60Hz	62
Pressione max vapore H ₂ O ammissibile Water vapour tolerance Pression de vapeur d'eau maximale admissible Wasserdampfverträglichkeit Presión máxima de vapor de agua admisible	mbar	30	80
Quantità vapore H ₂ O ammissibile Water vapour pumping capacity Capacité de pompage de la vapeur d'eau Wasserdampfkapazität Cantidad de vapor de agua admisible	kg/h	50Hz	1
		60Hz	1,2
Quantità d'olio Quantity of oil Quantité d'huile Ölmenge Cantidad de aceite	l	2	
Peso totale Total weight Poids total Gesamtgewicht Peso total	kg	50Hz	41,7
		60Hz	43,7
<p>*Secondo accordi PNEUROF 6602. #Valido per temperature fino a 40°C e altitudini inferiori a 1000 m. *2 Da definire in funzione del paese d'utilizzo</p> <p>*According to Pneurop standard 6602. #Valid for temperatures up to 40°C and altitudes lower than 1000 m. *2 Depending on the Country of use</p> <p>*Selon la norme Pneurop 6602. #Valeable pour températures jusqu'à 40°C et pour altitudes inférieures à 1000 m. *2 A établir selon le Pays où il sera employé</p> <p>*Nach der Pneurop Norm 6602. #Gültig für Temperaturen bis 40°C und für Höhen weniger als 1000 m. *2 Festzulegen aufgrund von Nutzungsland</p> <p>*Según la normativa Pneurop 6602. #Válido para temperaturas hasta 40°C y altitudes inferiores a 1000 m. *2 Definir en función del país de utilización</p>			



Technical data and parts lists
ENG

EU 67M - EU 67M HWT Overall dimensions and main parts



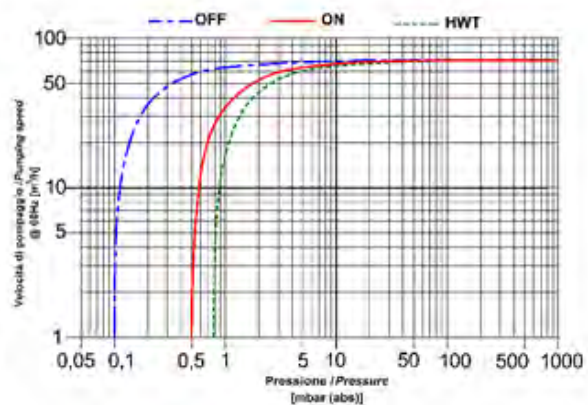
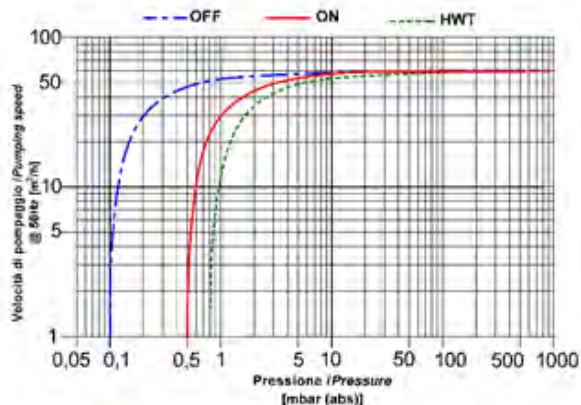
*Dimensions subject to changes depending on the motor brand

- | | |
|-----------------------------|----------------------------------|
| A Inlet | I Oil grade label |
| B Exhaust | L Rotation plate |
| C Cooling air inlet | M Lifting eyebolt |
| D Cooling air outlet | N Gas ballast valve |
| E Oil filling plug | O Hot surfaces name plate |
| F Oil sight glass | P Vibration damper |
| G Oil drain plug | Q Oil filter |
| H Pump name plate | |

4 EU47M - EU47M HWT - EU67M - EU67M HWT - RDT 6061.PPO

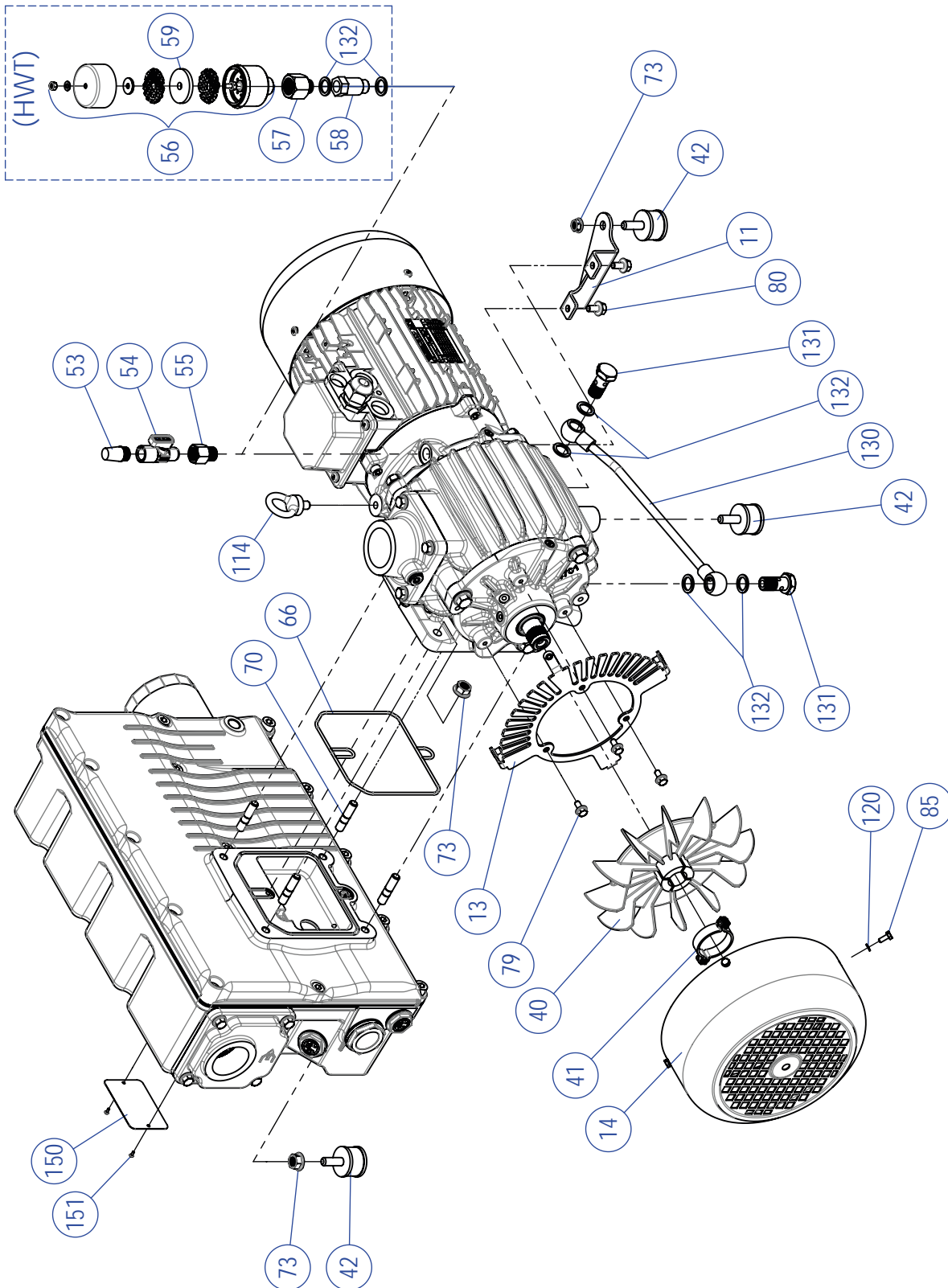
EU 67M - EU 67M HWT Technical characteristics

		EU67M	EU67M HWT
Portata nominale* Nominal speed* Débit nominal* Nennsaugvermögen* Caudal nominal*	50Hz	67	
	60Hz	80	
Pressione limite totale con zavorratore chiuso* (OFF) Ultimate total pressure with gas ballast valve closed* (OFF) Vide final total avec lest d'air fermé* (OFF) Grenzdruck bei geschlossenem Gasballastventil* (OFF) Presión final total con valvula gas-ballast cerrada* (OFF)	mbar	≤ 0,1	
	Pascal	≤ 10	
Pressione limite totale con zavorratore aperto* (ON) Ultimate total pressure with gas ballast valve open* (ON) Vide final total avec lest d'air ouvert* (ON) Grenzdruck bei offenem Gasballastventil* (ON) Presión final total con valvula gas-ballast abierta* (ON)	mbar	≤ 0,3	≤ 0,8
	Pascal	≤ 30	≤ 80
Potenza motore # / Numero di giri Motor power # / Rotational speed Puissance moteur # / Numéro de révolutions Motorleistung # / Drehzahl Potencia motor # / Velocidad de giro	50Hz ~3	IEC - 1,5 kW - 1500 min ⁻¹	
	60Hz ~3	IEC - 1,8 kW - 1800 min ⁻¹	
Caratteristiche motore elettrico *2 Electric motor characteristics *2 Caractéristiques moteur électrique *2 Motoreigenschaften *2 Características motor eléctrico *2	50Hz ~3	IEC - IM B5 \wedge 230 / Δ 400 V	
	60Hz ~3	IEC - IM B5 \wedge 265 V / Δ 460 V IEC - IM B5 \wedge 220-240 V / Δ 380-460 V cURus - IM B5 \wedge 230 V / Δ 460 V	
Livello di pressione acustica Sound pressure level Niveau de pression acoustique Schalldruckpegel Nivel de presión acústica	50Hz	62	
	60Hz	63	
Pressione max vapore H ₂ O ammissibile Water vapour tolerance Pression de vapeur d'eau maximale admissible Wasserdampfverträglichkeit Presión máxima de vapor de agua admisible	mbar	30	80
Quantità vapore H ₂ O ammissibile Water vapour pumping capacity Capacité de pompage de la vapeur d'eau Wasserdampfkapazität Cantidad de vapor de agua admisible	50Hz	1,5	3
	60Hz	1,8	3,6
Quantità d'olio Quantity of oil Quantité d'huile Ölmenge Cantidad de aceite	l	2	
Peso totale Total weight Poids total Gesamtgewicht Peso total	50Hz	49	
	60Hz	51	
<p>*Secondo accordi PNEUROP 6602. #Valido per temperature fino a 40°C e altitudini inferiori a 1000 m. *2 Da definire in funzione del paese d'utilizzo</p> <p>*According to Pneuop standard 6602. #Valid for temperatures up to 40°C and altitudes lower than 1000 m. *2 Depending on the Country of use</p> <p>*Selon la norme Pneuop 6602 #Valable pour températures jusqu'à 40°C et pour altitudes inférieures à 1000 m. *2 A établir selon le Pays où il sera employé</p> <p>*Nach der Pneuop Norm 6602. #Gültig für Temperaturen bis 40°C und für Höhen weniger als 1000 m. *2 Festzulegen aufgrund von Nutzungsland</p> <p>*Segun la normativa Pneuop 6602. #Válido para temperaturas hasta 40°C y altitudes inferiores a 1000 m. *2 Definir en función del país de utilización</p>			



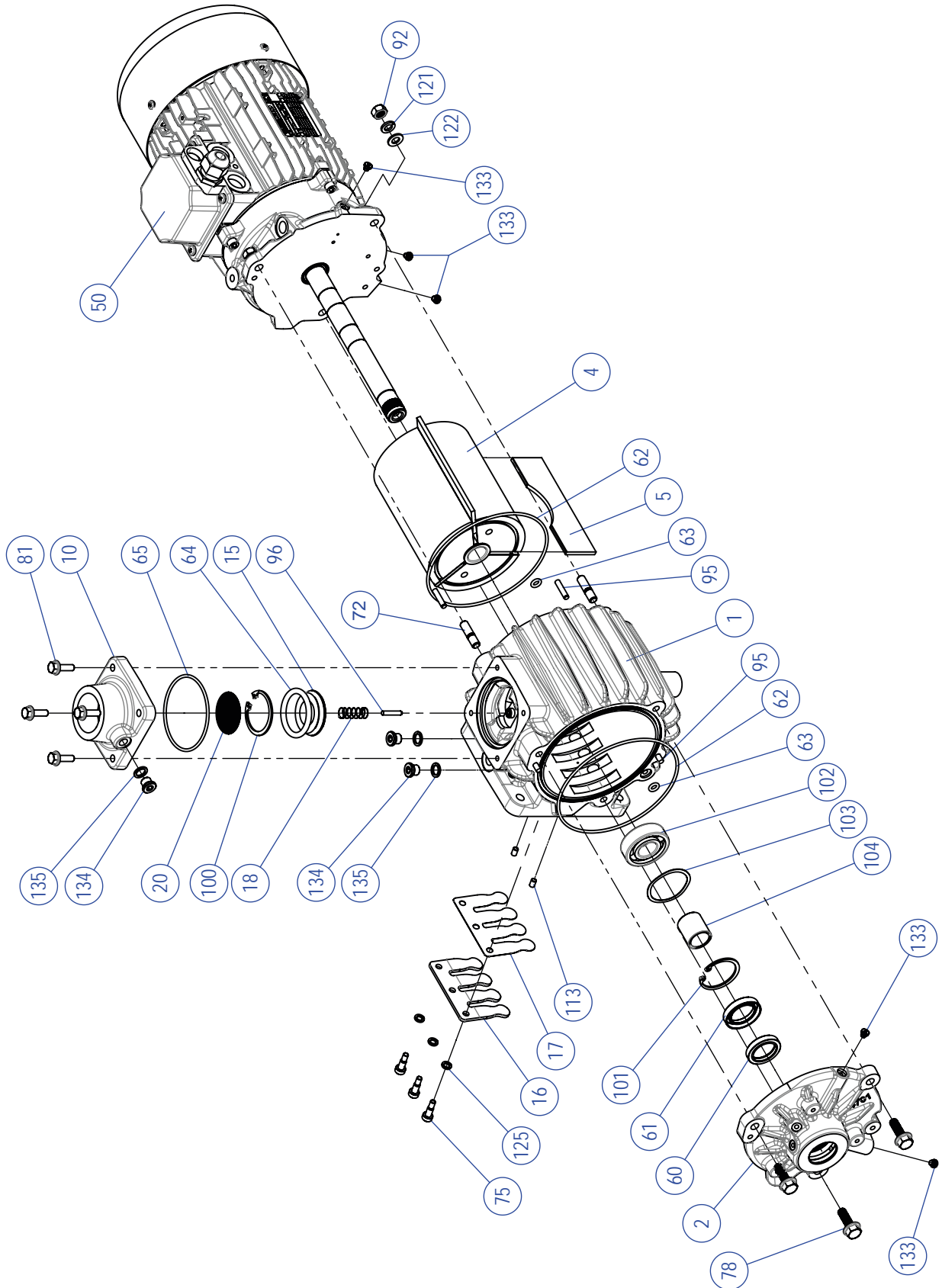
Technical data and parts lists
ENG

Exploded



6 EU47M - EU47M HWT - EU67M - EU67M HWT - RDT 6061.PPO

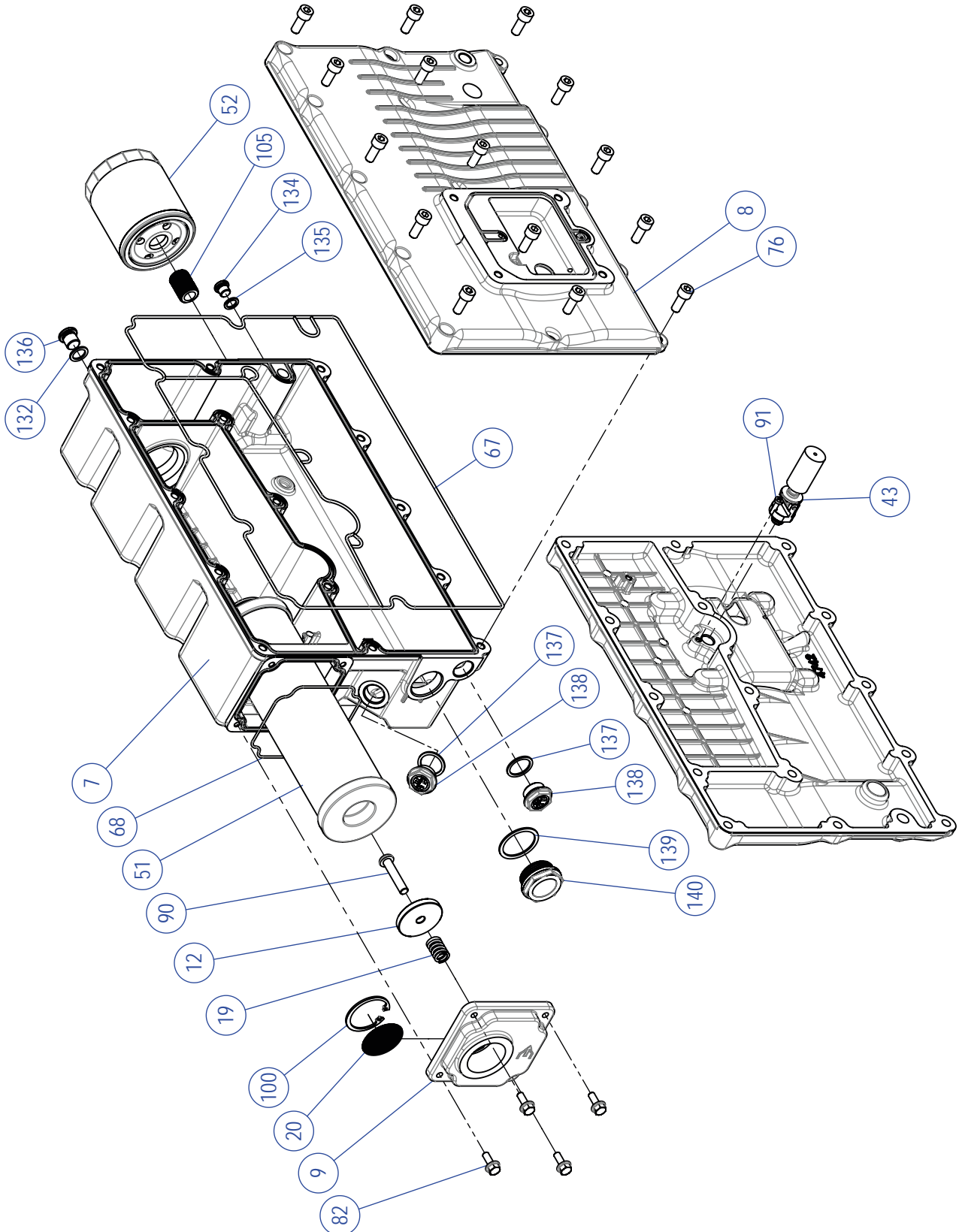
Exploded



RDT 6061.PP0 - EU47M - EU47M HWT - EU67M - EU67M HWT

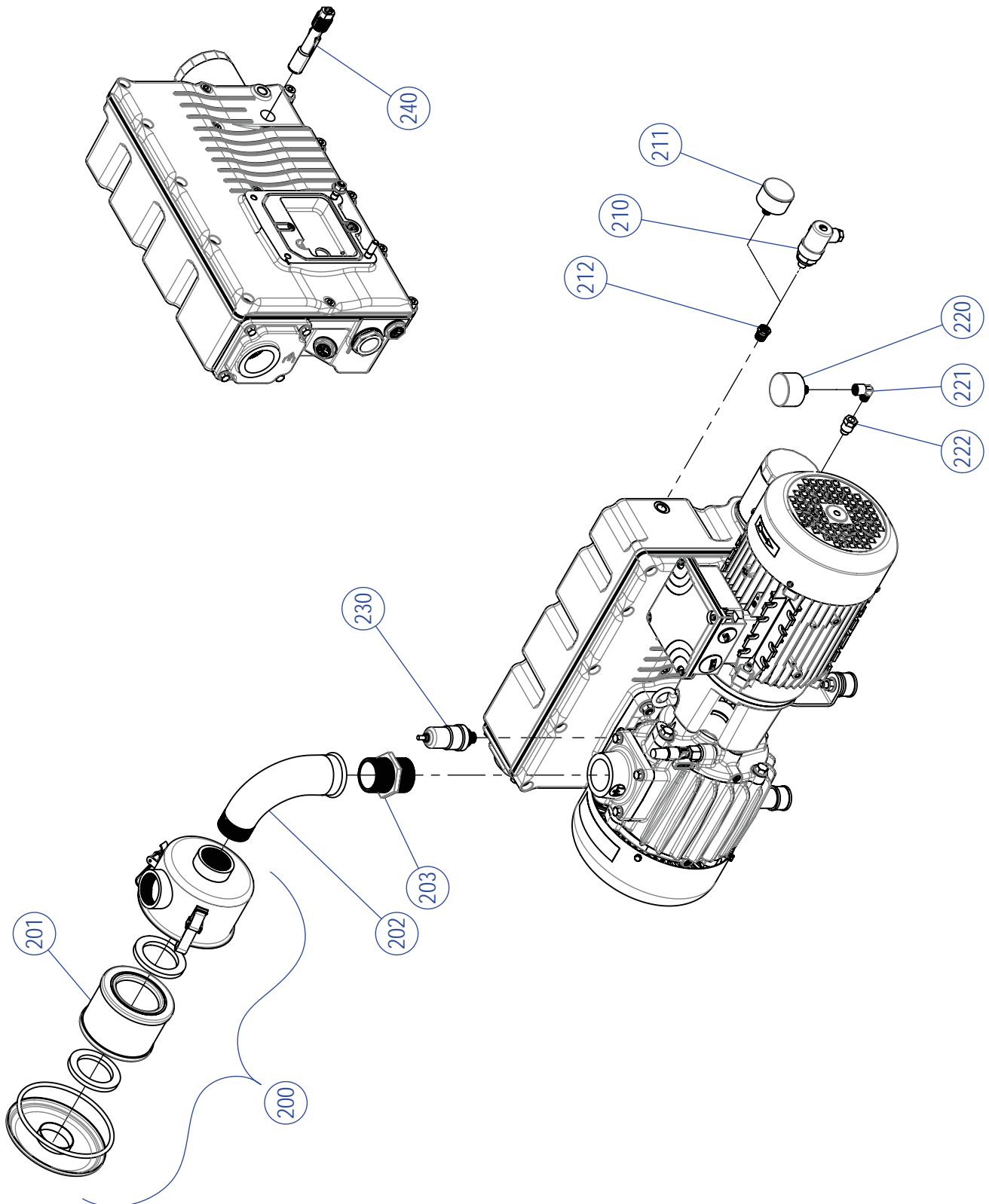
Technical data and parts lists
ENG

Exploded



8 EU47M - EU47M HWT - EU67M - EU67M HWT - RDT 6061.PPO

Exploded



Technical data and parts lists

ENG

Spare parts list

POS.		DESCRIPTION	STD.	HWT
			PZ	PZ
1		Body of pump	1	1
2		External side end plate	1	1
4		Rotor	1	1
5	R2	Vane	3	3
7		Oil Tank	1	1
8		Tank flank	1	1
9		Tank discharge cover	1	1
10		Inlet port	1	1
11		Foot support	1	1
12		Disk for exhaust filter	1	1
13		Fan protection	1	1
14		Fan cover	1	1
15		Inlet valve plate	1	1
16		Plate support	1	1
17	R2	Discharge plate	1	1
18		Inlet spring	1	1
19		Exhaust filter spring	1	1
20		Grid	2	2
40		Fan	1	1
41		Fan fixing clamp	1	1
42		Vibration damping foot	4	4
43	R2	Floating valve	1	1
50		Electric motor	1	1
51	R1-R2	Exhaust filter	1	1
52	R1-R2	Oil filter	1	1
53	R1-R2	Gas-Ballast filter	1	-
54		On/Off Gas-Ballast valve	1	-
55	R2	Fitting with no-return valve	1	-
56		HWT Gas-Ballast	-	1
57		A5Z M-F 1/4"-3/8 Gas extension	-	1
58		A25 M-F 1/4" Gas extension	-	1
59	R1-R2	Filter for HWT Gas-Ballast	-	1
60	R2-G	25x35x6 Seal ring	1	1

10 EU47M - EU47M HWT - EU67M - EU67M HWT - RDT 6061.PPO

Spare parts list

61	R2-G	25x38x7 Seal ring	1	1
62	R2-G	O-Ring 3500	2	2
63	R2-G	O-Ring 3024	2	2
64	R2-G	O-Ring 6150	1	1
65	R2-G	O-Ring 3281	1	1
66	R2-G	Body of pump-Tank gasket	1	1
67	R2-G	Tank flank gasket	1	1
68	R1-R2-G	Tank discharge cover gasket	1	1
70		M8x25 Stud bolt	4	4
72		M8x20 Stud bolt	3	3
73		M8 Hexagon flanged and knurled nut	7	7
75		M6x10 Hex. Socket head ground screw	3	3
76		M8 x 20 Hex. Socket head screw	15	15
78		M8x25 Hexagon flanged and knurled screw	3	3
79		M5x10 Hexagon flanged and knurled screw	3	3
80		M6x12 Hexagon flanged and knurled screw	2	2
81		M6x20 Hexagon flanged and knurled screw	4	4
82		M6x16 Hexagon flanged and knurled screw	4	4
85		M4x10 Hex. screw	4	4
90		M8x40 Hexagon socket button head cap screw	1	1
91		M4x16 screw	1	1
92		M8 Nut	3	3
95		Ø5x24 Pin	4	4
96		Ø4x24 Pin	1	1
100		l42 Circlip	2	2
101		l40 Circlip	1	1
102	R2	6309 Bearing	1	1
103		Ø47b Shim ring	1	1
104	R2	20x25x26,5 Inner ring	1	1
105		3/4"-16 UNF Nipple	1	1
113		M5x8 Hex. Socket set screw	2	2
114		M8 Eyebolt	1	1
120		Ø4 Lock washer	4	4
125		Ø6 Lock washer	3	3
130		Oil pipe	1	1

Technical data and parts lists

ENG

Spare parts list

131		1/4"G Hollow bolt	2	2
132		1/4"G Al Washer	5	7
133		M5 Plug with O Ring	5	5
134		1/8"G Plug	4	4
135		1/8"G Al Washer	4	4
136		1/4"G Plug	1	1
137	R1-R2-G	1/2"G Al Washer	2	2
138		1/2"G Filling-discharge plug	2	2
139	R2-G	1"G Fiber Washer	1	1
140	R2	1" Oil sight glass	1	1
150		Pump name plate	1	1
151		Ø1.85x5 Tapping rivets	2	2
	R1	Ordinary maintenance kit		
	R2	Extraordinary maintenance kit (G includes)		
	G	Gasket kit		

Spare parts list

ACCESSORIES

POS.	DESCRIPTION	STD.	HWT
		PZ	PZ
200	Complete inlet filter	1	1
201	Filter element	1	1
202	1"1/4G M-F Union fitting	1	1
203	4"G N8 Nipple	1	1
210	Pressure switch for exhaust filter	1	1
211	Pressure gauge for exhaust filter	1	1
212	A4 M-F 1/4"-1/8"G reduction	1	1
220	Vacuum gauge for oil filter	1	1
221	A10 M-F 1/8"-1/8" Gas fitting	1	1
222	A25 M-F 1/8" Gas extension	1	1
230	Temperature switch	1	1
240	Minimum Oil level switch	1	1

PVR Srl

HEADQUARTERS:

Via Santa Vecchia, 107 - 23868 Valmadrera (LC), Italy
T +39 0341 1918 51 - F +39 0341 1918 599
info@pvr.it - www.pvr.it

LOCAL UNIT:

Via IV Novembre, 104F
23868 Valmadrera (LC), Italy