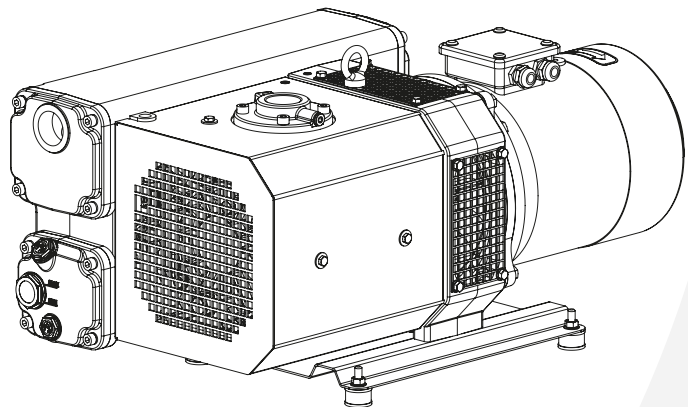


EU 107 H
EU 107 HWT
*Lubricated vane
vacuum pump*



***Technical data
and parts lists***

Publication Number:
RDT 3738.02 April 2021

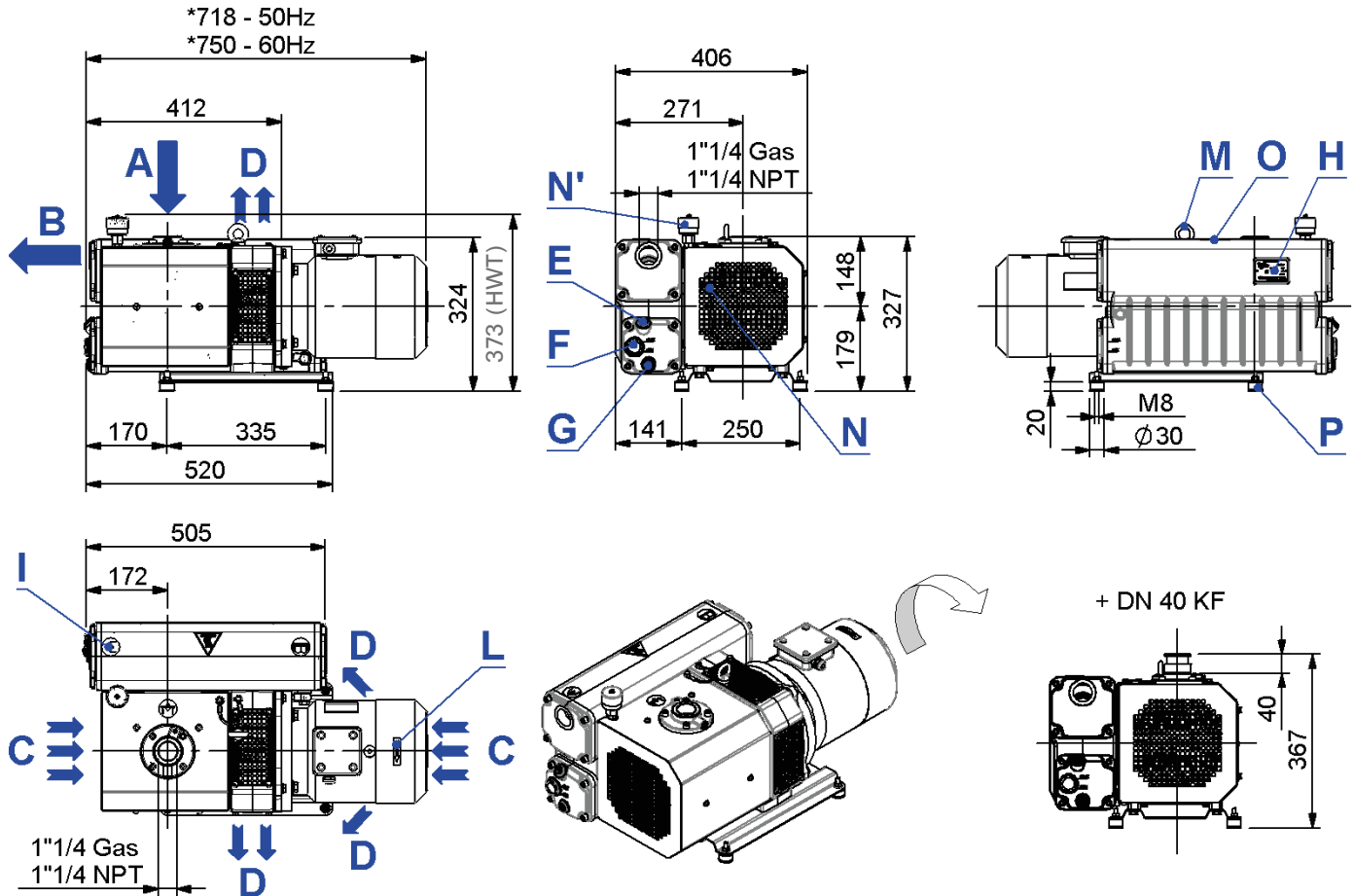
Technical data and parts lists

ENG

Index

Overall dimensions and main parts.....	pag.3
Technical characteristics.....	pag.4
Exploded view.....	pag.5
Spare parts list.....	pag.10

Overall dimensions and main parts



*Dimensions subject to changes depending on the motor brand

- A Inlet
- B Exhaust
- C Cooling air inlet
- D Cooling air outlet
- E Oil filling plug
- F Oil sight glass
- G Oil drain plug
- H Pump name plate
- L Rotation plate
- M Lifting eyebolt
- N Gas ballast valve
- O Hot surfaces name plate
- P Vibration damper

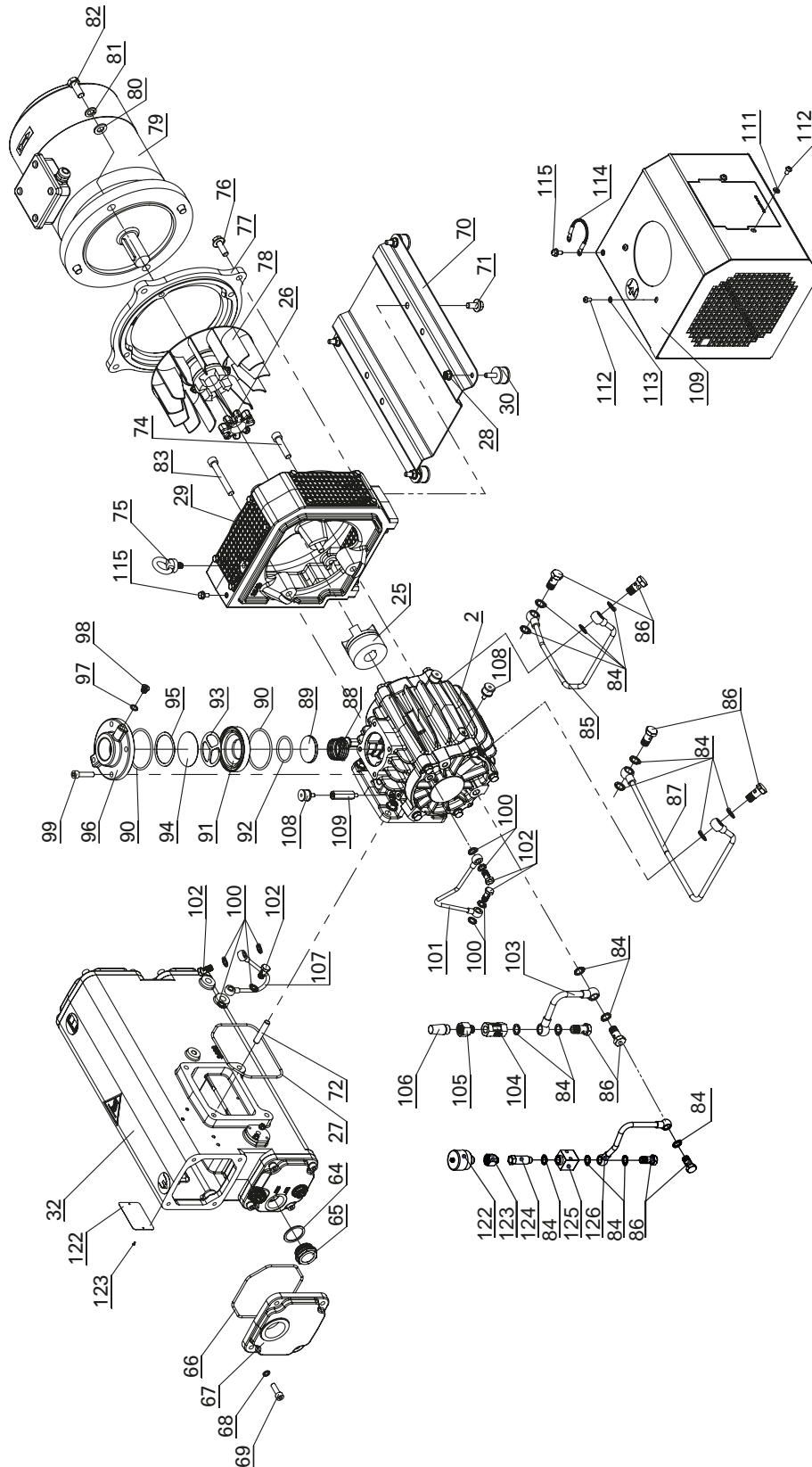
Technical data and parts lists

ENG

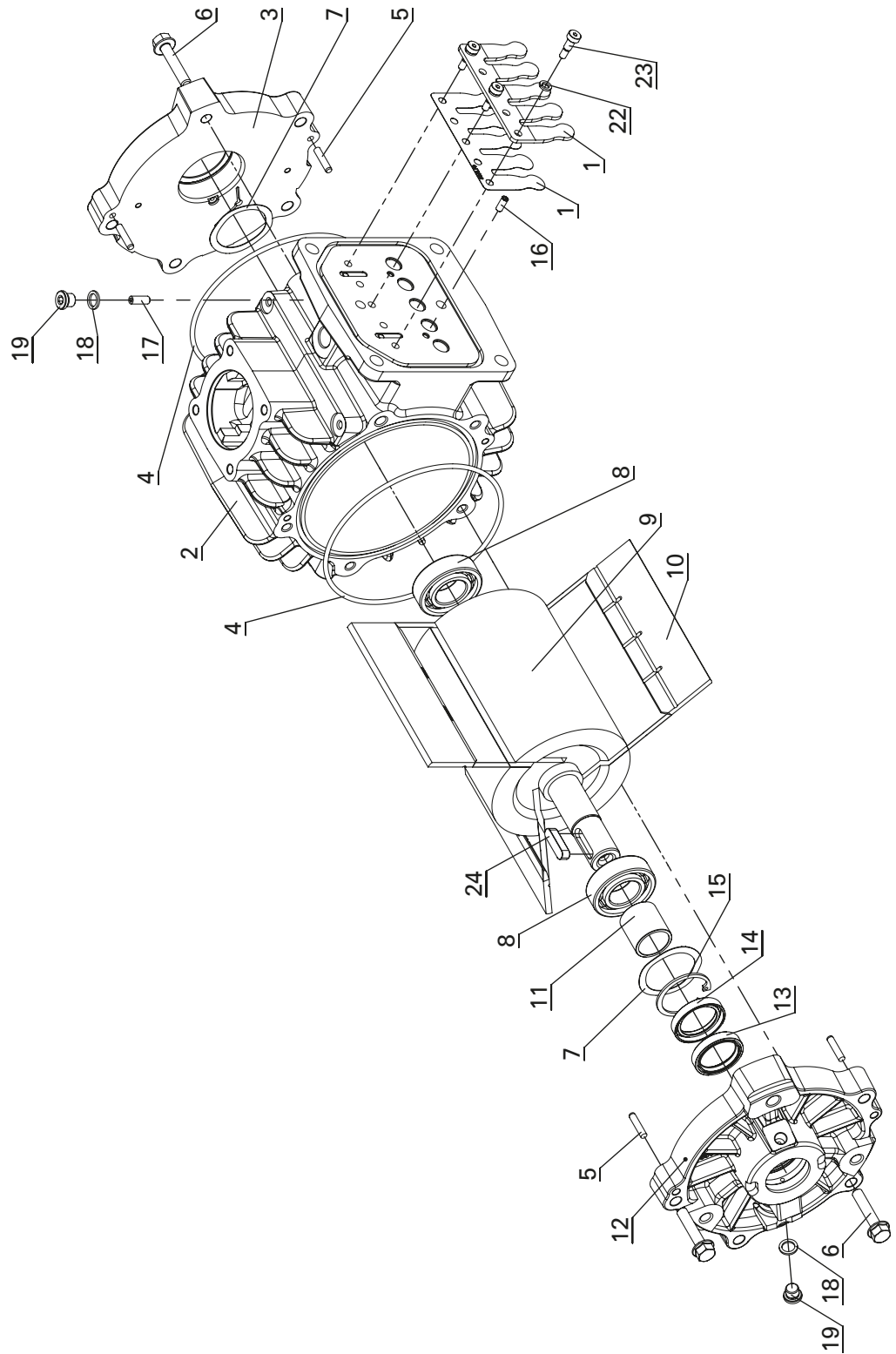
Technical characteristics

	EU107 H		EU107 HWT
Portata nominale* Nominal speed* Débit nominal* Nennsaugvermögen* Caudal nominal*	m ³ /h	50Hz	110
		60Hz	130
Pressione limite totale con zavorratore chiuso* Ultimate total pressure with gas ballast valve closed* Vide final total avec lest d'air fermé *	mbar	≤ 0,1	-
Grenzdruck bei geschlossenem Gasballastventil * Presión final total con valvula gas-ballast cerrada *	Pascal	≤ 10	-
Pressione limite totale con zavorratore aperto* Ultimate total pressure with gas ballast valve open* Vide final total avec lest d'air ouvert *	mbar	≤ 0,5	≤ 0,8
Grenzdruck bei offenem Gasballastventil * Presión final total con valvula gas-ballast abierta *	Pascal	≤ 50	≤ 80
Potenza motore # / Numero di giri Motor power # / Rotational speed Puissance moteur # / Numéro de révolutions Motorleistung # / Drehzahl Potencia motor # / Velocidad de giro		50Hz ~3	2,2 kW - 1500 min ⁻¹
		60Hz ~3	3 kW - 1800 min ⁻¹
Caratteristiche motore elettrico Electric motor characteristics Caractéristiques moteur électrique Motoreigenschaften Características motor eléctrico		50Hz ~3	IM B5 230/400 V
		60Hz ~3	IM B5 460 V
Livello di pressione acustica Sound pressure level Niveau de pression acoustique Schalldruckpegel Nivel de presión acústica	dB(A) EN ISO 2151	50Hz	66
		60Hz	68
Pressione max vapore H ₂ O ammissibile Water vapour tolerance Pression de vapeur d'eau maximale admissible Wasserdampfverträglichkeit Presión máxima de vapor de agua admisible	mbar	30	100
Quantità vapore H ₂ O ammissibile Water vapour pumping capacity Capacité de pompage de la vapeur d'eau Wasserdampfkapazität Cantidad de vapor de agua admisible	kg/h	2,2	9
Quantità d'olio Quantity of oil Quantité d'huile Ölmenge Cantidad de aceite	l	2,6	
Peso totale / senza motore Total weight / Without motor Poids total / Sans moteur Gesamtgewicht / Gewicht ohne Motor Peso total / Sin motor	kg	50Hz	85 / 62
		60Hz	89 / 62
<p>*Secondo accordi PNEUROF 6602. #Valido per temperature fino a 40°C e altitudini inferiori a 1000 m. *According to Pneurop standard 6602. #Valid for temperatures up to 40°C and altitudes lower than 1000 m. *Selon la norme Pneurop 6602. #Valable pour températures jusqu'à 40°C et pour altitudes inférieures à 1000 m. *Nach der Pneurop Norm 6602.. #Gültig für Temperaturen bis 40°C und für Höhen weniger als 1000 m. *Según la normativa Pneurop 6602. #Válido para temperaturas hasta 40°C y altitudes inferiores a 1000 m.</p>		<p>— con zavorratore chiuso with gas ballast valve closed avec lest d'air fermé geschlossenem Gasballastventil con valvula gas-ballast cerrada</p> <p>- - - - con zavorratore aperto with gas ballast valve open avec lest d'air ouvert offenem Gasballastventil con valvula gas-ballast abierta</p>	

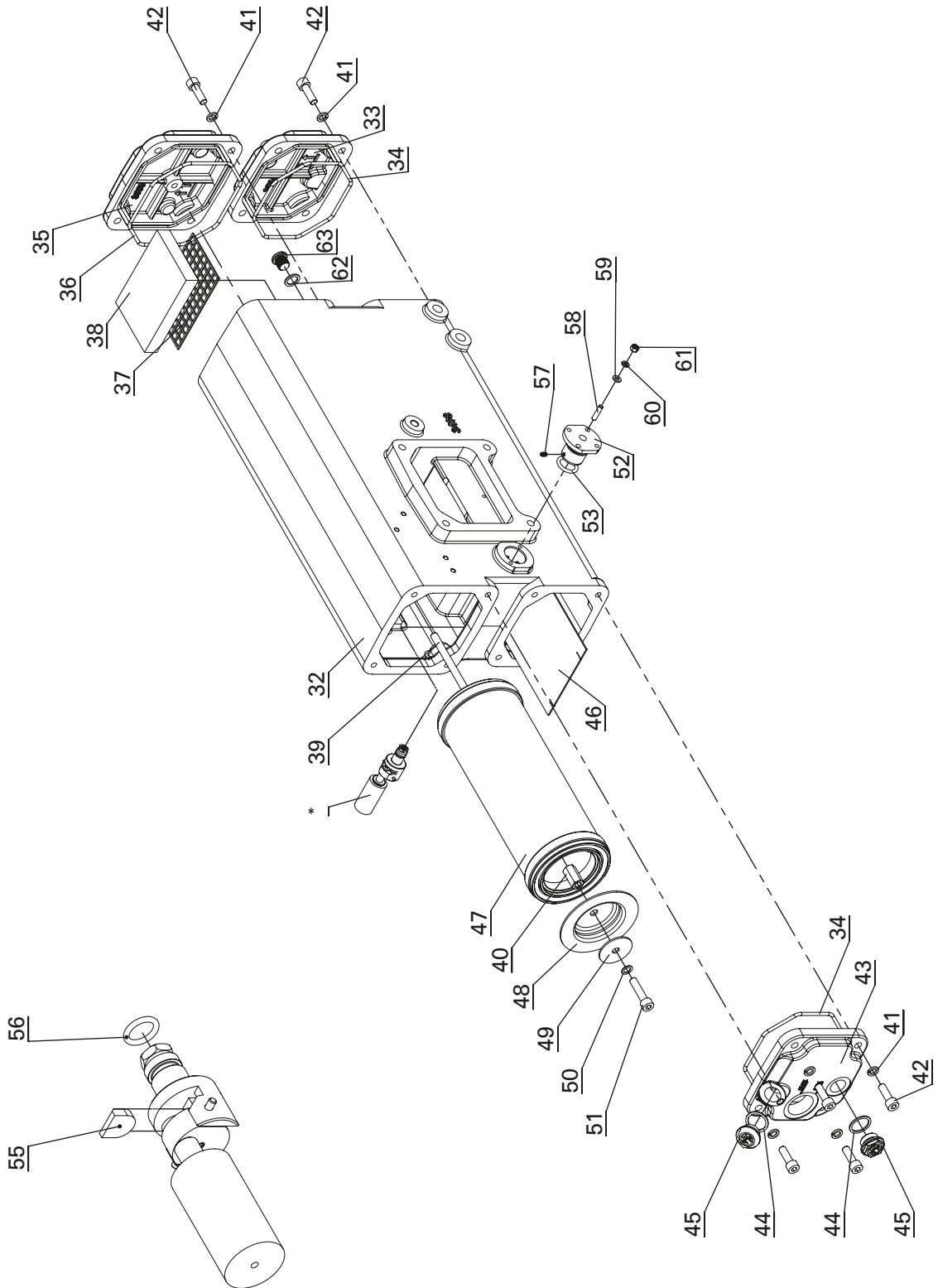
Exploded general



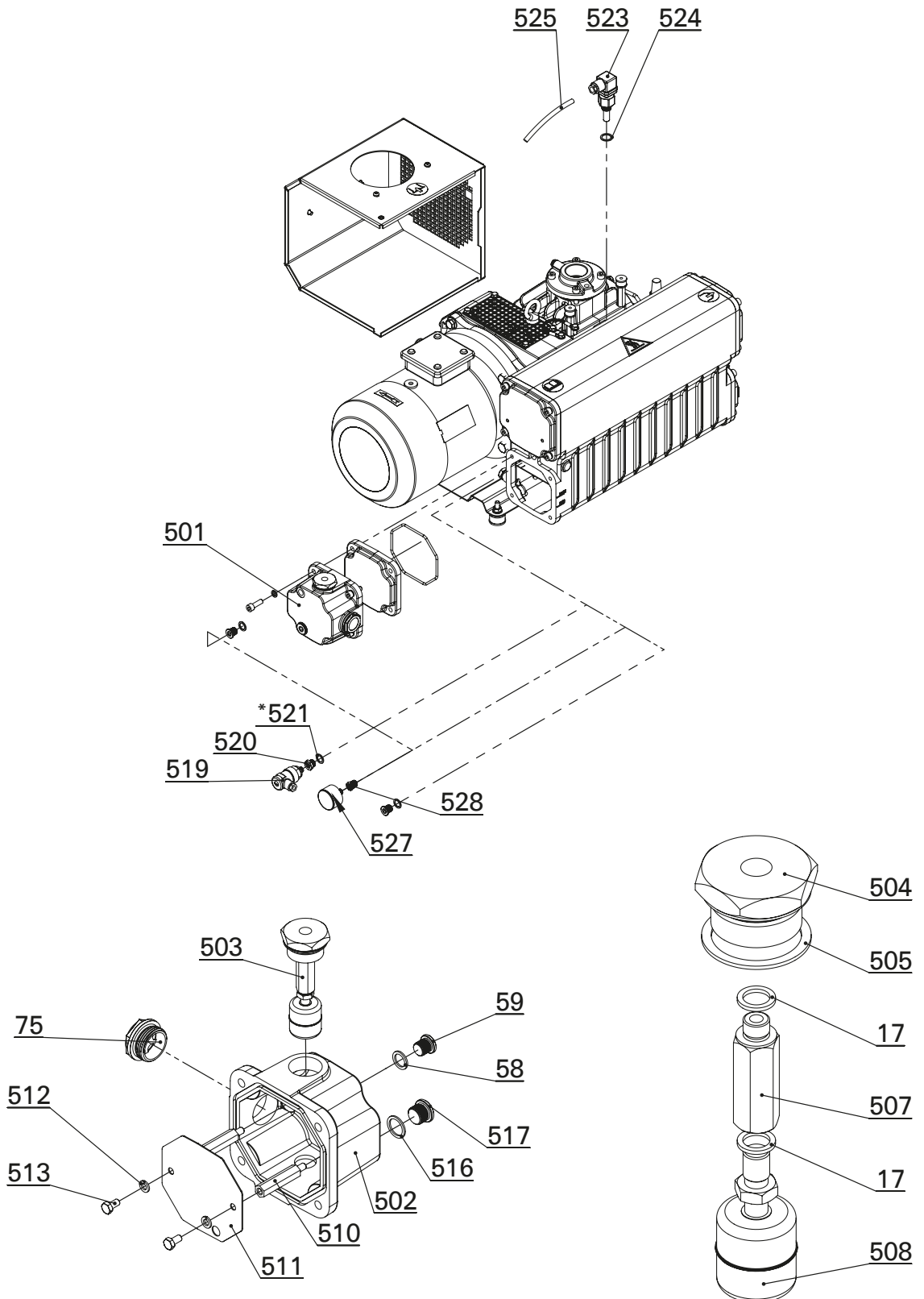
Exploded pump



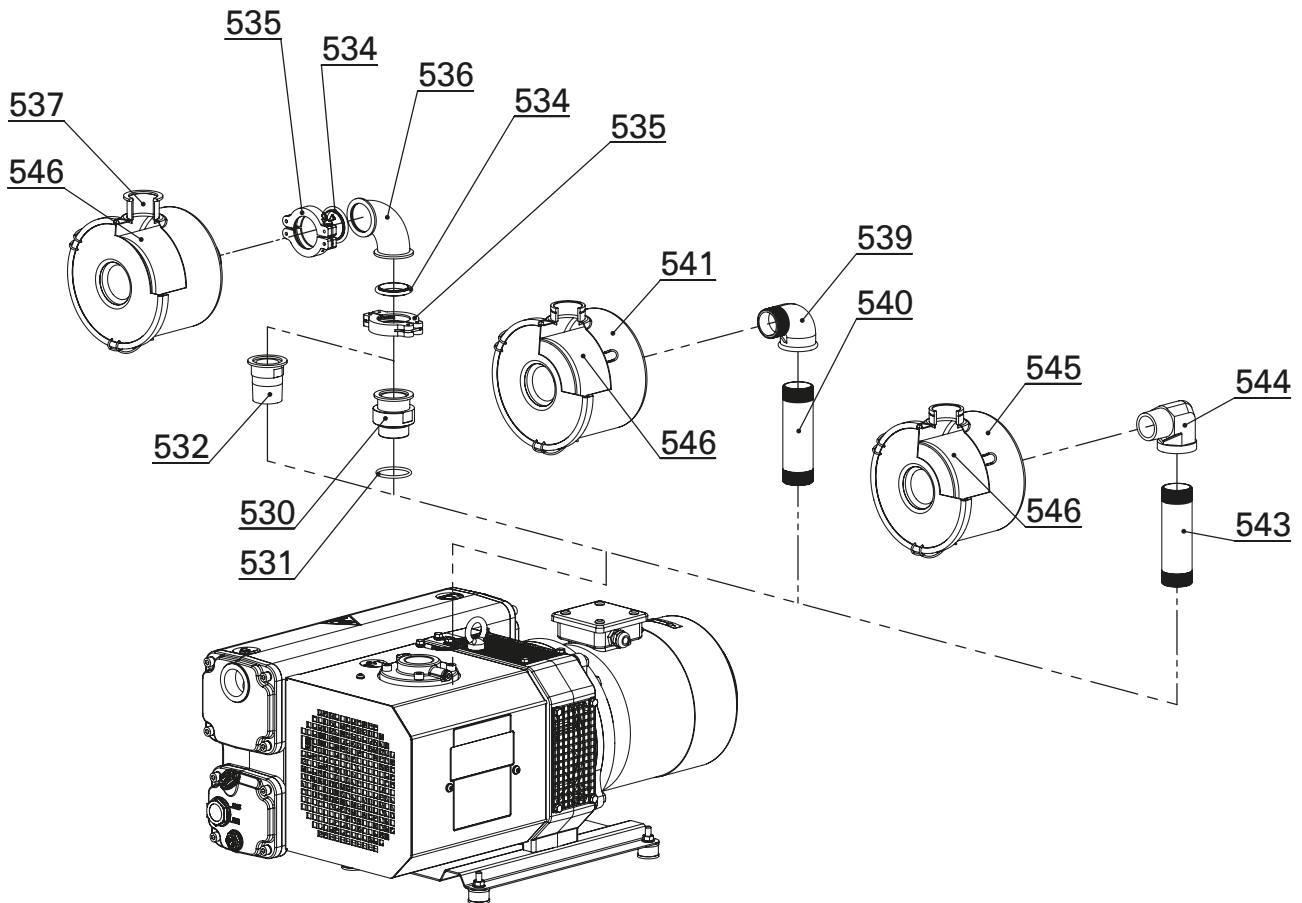
Exploded tank



Exploded accessories



Exploded accessories



Technical data and parts lists

ENG

Spare parts list

POS.		DESCRIPTION	PZ
1		Pump body assembly	1
2		Body of pump	1
3		External side cover	1
4	G		2
5		Ø5x24 Pin	4
6		M8x40 Hex. Screw (flanged and knurled)	9
7		D.52 Shim ring	2
8		Ball bearing 6205	2
9		Rotor	1
10		Vane	3
11		LR 25x30x30 Bushing	1
12		Motor side cover	1
13	G	BABSL 30x40x7 Seal ring	1
14	G	BA 30x42x7 Seal ring	1
15		I42 Seejer	1
16		M5x12 Hex. Socket set screw	2
17		Ø2,5mm reduction (M6x16)	2
18		1/8"G Al washer	3
19		1/8"G Plug	3
20		Plate	1
21		Plate support	1
22		Ø6 Lock washer	3
23		M6x10 Hex. socket head ground screw	3
24		8x7x30 key	1
25		Pump side coupling half	1
26	R	Elastic coupling insert	1
27	G	OR4525	1
28		M8 Nut flanged and knurled	4
29		Sleeve	1
30		Vibration damping foot	4
31		Tank assembly	1
32		Tank	1
33		Motor side lower cover	1
34	G R	OR4450	2
35		Motor side upper cover	1
36	G	OR4512	1
37		Demister support mesh	1
38		Tank demister	1
39		Stay bolt for exhaust filter	1
40		Exhaust filter stay bolt sleeve	1
41		Ø8 Elastic washer	12
42		M8 x 25 Hex. Socket head screw	12
43		Ext. side lower tank cover	1
44	R	1/2"G Fibre washer	2
45		1/2"G Filling-discharge plug	2
46		Tank micro-stretched sheet	1
47	R	Exhaust filter	1

48		Disk for exhaust filter	1
49		Ø8/40 Washer	1
50		Al ø8.4/13x1 Washer	1
51		M8 x 35 Hex. Socket head screw	1
52		Float port	1
53	G		1
54		Float valve	1
55	G	Rubber seal	1
56	G	OR 108	1
57		M4x8 Hex. Sock. Stud bolt	1
58		Stud bolt	2
59		Ø5 washer	2
60		Ø5 elastic washer	2
61		M5 Nut	2
62		1/4"G Al washer	1
63		1/4"G Hexagon socket head plug	1
64		1"G Fibre washer	1
65	R	1" Oil sight glass	1
66	G	OR4512	1
67		External side upper cover	1
68		Ø8 Elastic washer	4
69		M8 x 25 Hex. Socket head screw	4
70		Base-plate	1
71		M10x20 Hexagon screw flanged and knurled	4
72		M10x35 Stud bolt	4
73		M10 Nut flanged and knurled	4
74		M10x45 Hex. socket head screw	2
75		M10 Eyebolt	1
76		M10x30 Hexagon screw flanged and knurled	4
77		Motor flange	1
78		Fan assembly	1
79		Electric motor	1
80		Ø12 washer	4
81		Ø12 elastic washer	4
82		M12x30 Hex. screw	4
83		M10x75 Hex. Socket head screw	1
84		1/4"G Cu washer	12 (13 HWT)
85		Motor side lubrication pipe	1
86		1/4"G Hollow bolt	6
87		Ext. Side lubrication pipe	1
88		Helicoidal spring	1
89		Inlet valve plate	1
90	G		2
91		Inlet valve disk	1
92	G		1
93		Inlet mesh support	1
94		Inlet filtering mesh	1
95		D.62 Shim ring	1

Spare parts list

96	Inlet port	1
97	1/8"G Al washer	1
98	1/8"G Plug	1
99	M8 x 35 Hex. Socket head screw	4
100	1/8"G Cu washer	8
101	Oil recovery pipe	1
102	1/8"G Hollow bolt	4
103	Gas ballast pipe	1 (0 HWT)
104	1/4"G ball valve	1 (0 HWT)
105	1/4"G Fitting+ non return valve	1 (0 HWT)
106	Silencer	1 (0 HWT)
107	Oil pipe (outlet seal ring)	1
108	Vibration damping foot	4
109	Vibration damping foot extension	2
110	Carter	1
111	Ø6 washer	2

112	M6x10 Hexagon socket oval head screws	4
113	Ø5 washer	2
114	Ground wire	1
115	M6x12 Hex. screw flanged and knurled	2
116	High temperature label	1
117	Inlet label	1
118	Exhaust label	1
119	Manual Label	1
120	MS-101 label	1
121	Rotation label	1
122	Gas ballast	1 (0 HWT)
123	Reduction 3/8"-1/4"	1 (0 HWT)
124	Extension fitting	1 (0 HWT)
125	Gas ballast support	1 (0 HWT)
126	HWT Gas ballast pipe	1 (0 HWT)

Accessories parts list

POS.	DESCRIPTION	PZ
501	MS-101 oil level protection switch	1
502	Cover for Oil level protection switch	1
503	Oil level switch assembly	1
504	Oil level switch port	1
505	1"G Al washer	1
17	1/8"G Al washer	2
507	Oil level switch extension	1
508	Oil level switch	1
75	1" Oil sight glass	1
510	Spacer	2
511	Partition	1
512	Ø6 elastic washer	2
513	M6x12 Hex. head screw fully threaded	2
58	1/4"G Al washer	1
59	1/4"G Hexagon socket head plug	1
516	3/8"G Al washer	1
517	3/8"G Hexagon socket head plug	1
518	Exhaust filter control pressure switch	1
519	Pressure switch	1
520	1/4"-1/8"G M-f Cil. Reduction	1
*521	1/4"G Al washer	1
506	Pump thermal protection switch	1
523	Safety temperature switch	1

524	3/8"G Al washer	1
525	Silicone cable	1
526	Pressure gauge kit	1
527	Pressure gauge for exhaust filter	1
528	M-f 1/4"-1/8" G adapter	1
529	GAS / KF Adapter kit	1
530	GAS / KF Adapter	1
531	G OR 147	1
532	NPT / KF Adapter	1
533	Connection fitting kit for KF filter	1
534	DN40KF Centering ring	2
535	DN40KF Clamping ring	2
536	DN40KF Elbow 90°	1
537	DN40KF Inlet filter	1
538	Connection fitting kit for gas filter	1
539	A4 1"1/4G Elbow union	1
540	M-M 1"1/4G Pipe fitting	1
541	1"1/4G Inlet filter	1
542	Connection fitting kit for NPT Filter	1
543	M-M 1"1/4 NPT Pipe fitting	1
544	1"1/4 NPT Elbow	1
545	1"1/4 NPT Inlet filter	1
546	R Filter element intake filter	1

PVR Srl **SEDE LEGALE E AMMINISTRATIVA:**

Via Santa Vecchia, 107 - 23868 Valmadrera (LC), Italy
T +39 0341 1918 51 - F +39 0341 1918 599
info@pvr.it - www.pvr.it

UNITÀ LOCALE:

Via IV Novembre, 104F
23868 Valmadrera (LC), Italy