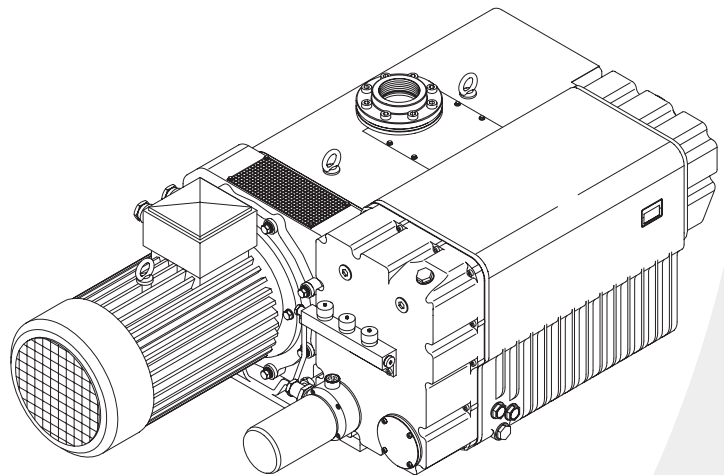


EU 1000 - EU 1000/B

***Lubricated vane
vacuum pump***



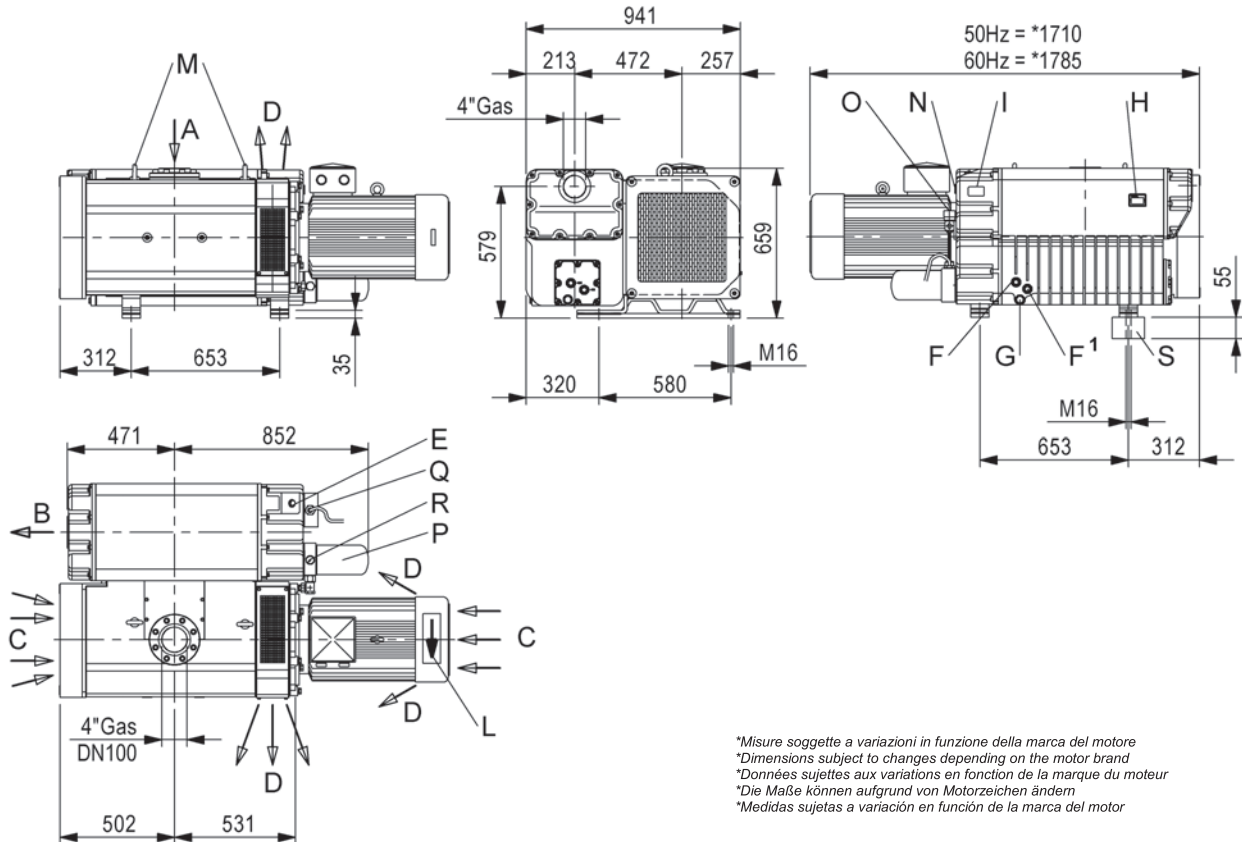
Technical data and parts lists

Publication Number:
RDT 1011.03 December 2017

Technical data and parts lists

ENG

EU1000 – EU1000/B



*Misure soggette a variazioni in funzione della marca del motore
 *Dimensions subject to changes depending on the motor brand
 *Données sujettes aux variations en fonction de la marque du moteur
 *Die Maße können aufgrund von Motorzeichen ändern
 *Medidas sujetas a variación en función de la marca del motor

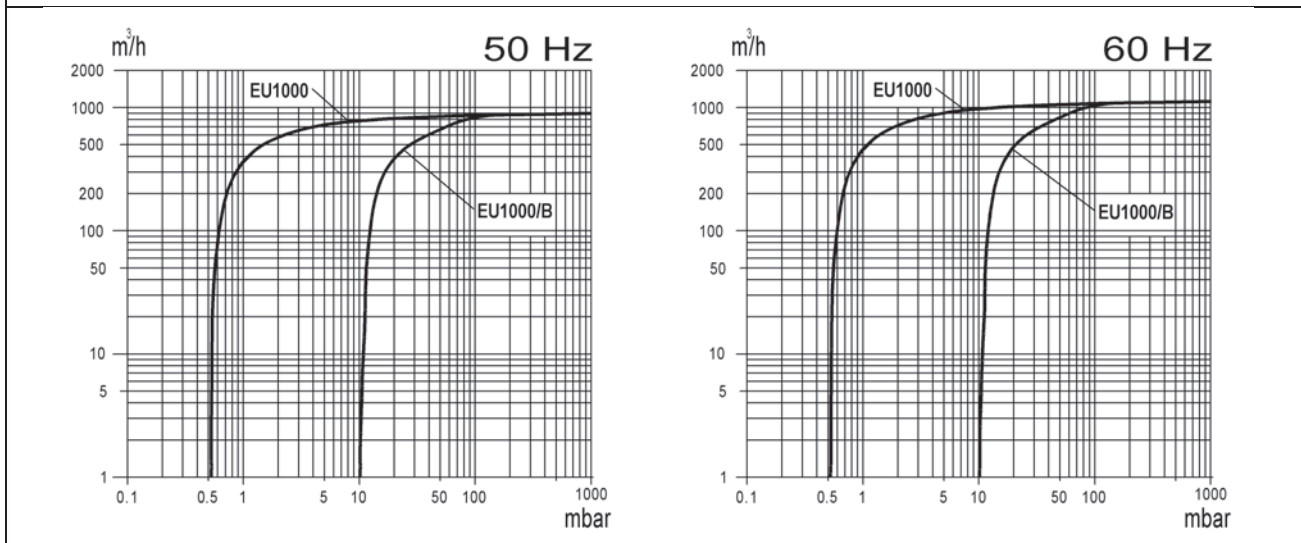
(I) (GB) (F) (D) (E)

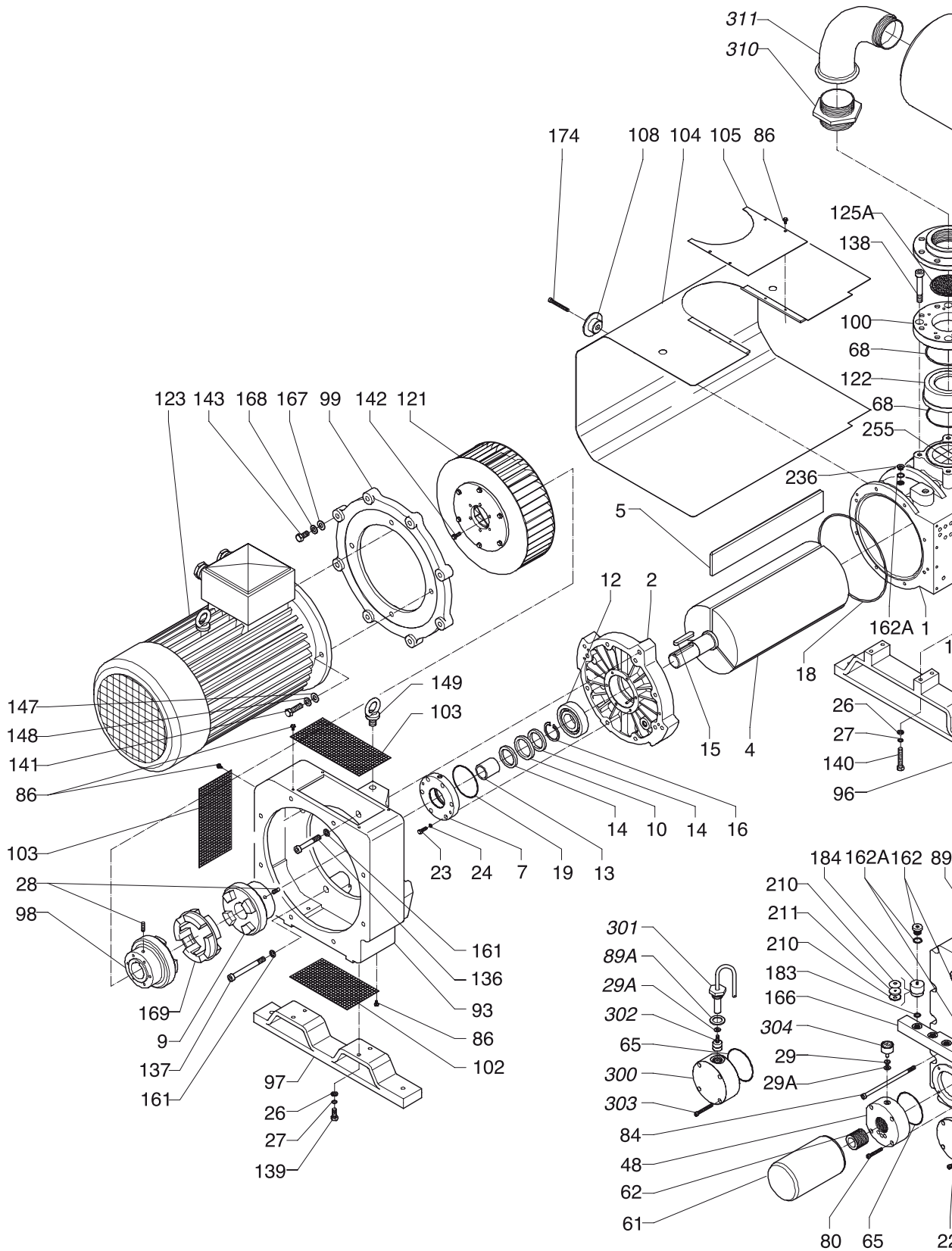
A	Aspirazione	Inlet	Aspiration	Einlass	Aspiración
B	Scarico aria	Exhaust	Sortie de l'air	Luftauslass	Salida de aire
C	Entrata aria raffreddamento	Cooling air inlet	Entrée air refroidissement	Kühluftseintritt	Entrada aire refrigeración
D	Uscita aria raffreddamento	Cooling air outlet	Sortie air refroidissement	Kühluftsaustritt	Salida aire refrigeración
E	Tappo carico olio	Oil filling plug	Bouchon remplissage huile	Öleinfüllschraube	Tapón carga de aceite
F	Spia livello olio max.	Max. oil level sight glass	Contrôle niveau huile maximum	Höchstölschauglas	Mirilla aceite nivel máximo
F¹	Spia livello olio min.	Min. oil level sight glass	Contrôle niveau huile minimum	Mindestölschauglas	Mirilla aceite nivel mínimo
G	Tappo scarico olio	Oil drain plug	Bouchon vidange huile	Ölablassschraube	Tapón vaciado de aceite
H	Targhetta identificazione	Pump name plate	Plaquette d'identification	Maschinenschild	Placa de identificación
I	Targhetta olii	Oil grade label	Plaquette huiles	Ölempfehlungsschild	Placa tipos de aceites
L	Targhetta rotazione	Rotation plate	Plaquette rotation	Drehungsschild	Placa sentido de giro
M	Golfari di sollevamento	Lifting eyebolt	Anneau de levage	Aufhebenölschraube	Gancho de levantamiento
N	Attacco x manometro	Port for pressure gauge	Trou pour manomètre	Loch für Manometer	Conexión para manómetro
O	Zavorratore	Gas ballast valve	Lest d'air	Gasballastventil	Valvula gas-ballast
P	Filtro olio con by-pass	Oil filter with bypass	Filtre huile avec bypass	Ölfilter mit Bypass	Filtro de aceite con bypass
	ACCESSORI	OPTIONAL	ACCESSOIRES	ZUBEHÖRTEILE	ACCESORIOS
Q	Indicatore di livello	Oil level switch	Indicateur de niveau	Niveauschalter	Indicador de nivel
R	Indicatore intasamento filtro	Filter condition indicator	Indicateur obstruction filtre	Filterverstopfungsanzeiger	Indicador taponamiento filtro
S	Antivibrante	Vibration damper	Antivibration	Schwingungsdämpfer	Antivibrante

		EU1000		EU1000/B	
Portata nominale* Nominal speed* Débit nominal* Nennsaugvermögen* Caudal nominal*	m ³ /h	50Hz	1033		
		60Hz	1239		
Pressione finale*(assoluta) Ultimate pressure* (abs.) Pression limite* (abs.) Enddruck* (abs.) Presión final* (abs.)	mbar	0,5		10	
	Pascal	50		1000	
Potenza motore # / Numero di giri Motor power # / Rotational speed Puissance moteur # / Numéro de révolutions Motorleistung # / Drehzahl Potencia motor # / Velocidad de giro	kW	50Hz ~3	22		
	min ⁻¹		1000		
	kW	60Hz ~3	30		
	min ⁻¹		1200		
Caratteristiche motore elettrico Electric motor characteristics Caractéristiques moteur électrique Motoreigenschaften Características motor eléctrico			50Hz ~3	IM B5 400/690 V ±10%	
			60Hz ~3	IM B5 480/828 V ±10%	
Livello di pressione acustica Sound pressure level Niveau de pression acoustique Schalldruckpegel Nivel de presión acústica	dB(A) EN ISO 2151	50Hz	80		
		60Hz	81		
Pressione massima vapore H ₂ O ammissibile Water vapour tolerance Pression de vapeur d'eau maximale admissible Wasserdampfverträglichkeit Presión máxima de vapor de agua admisible	mbar				
		30			
		30			
Quantità vapore H ₂ O ammissibile Water vapour pumping capacity Capacité de pompage de la vapeur d'eau Wasserdampfkapazität Cantidad de vapor de agua admisible	kg/h				
		20			
		20			
Carica olio Oil capacity Charge d'huile Ölfüllmenge Carga de aceite	l				
		~35			
		~35			
Peso totale / senza motore Total weight / Without motor Poids total / Sans moteur Gesamtgewicht / Gewicht ohne Motor Peso total / Sin motor	kg	50Hz	862 / 617		
		60Hz	922 / 617		

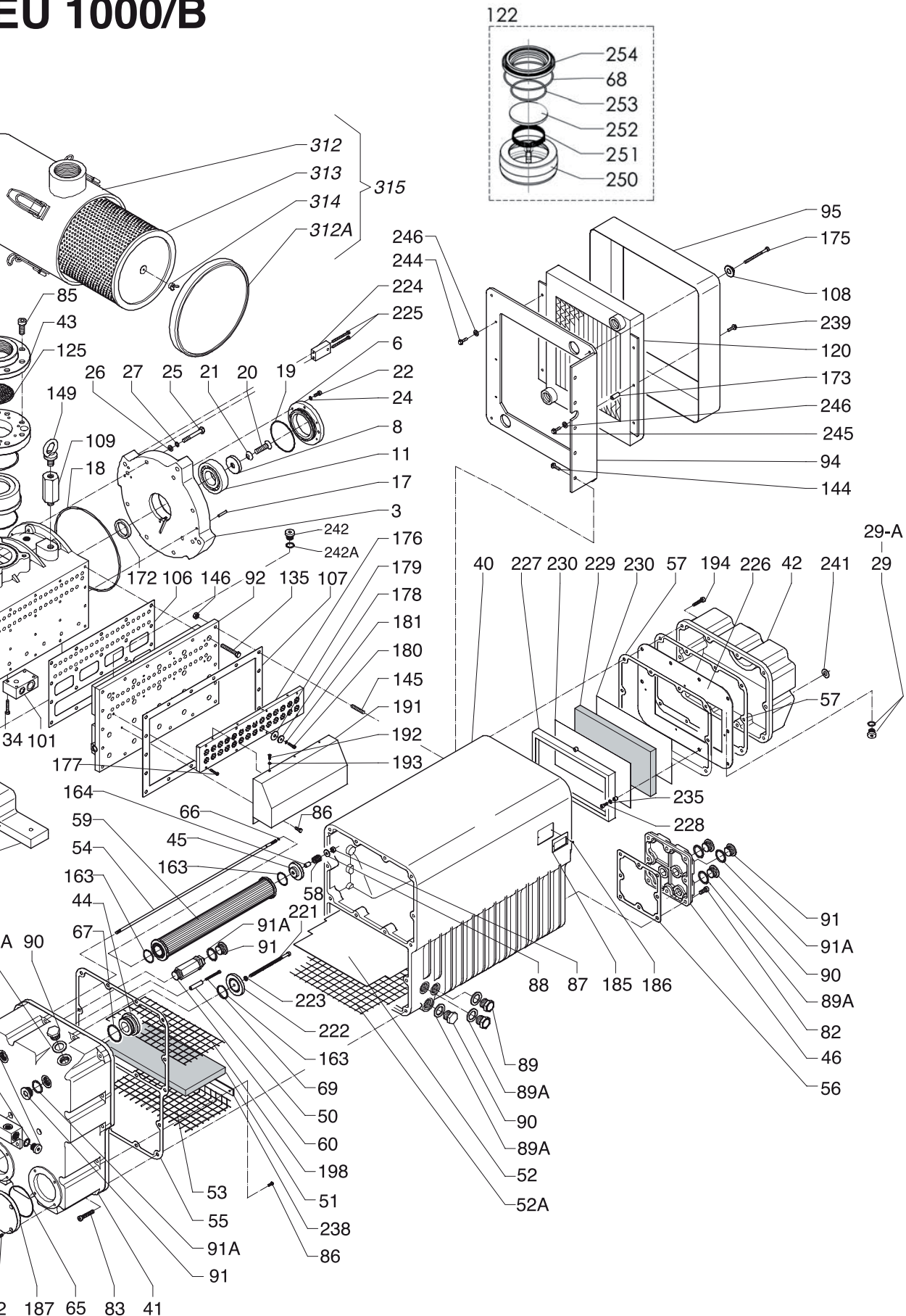
*Secondo accordi PNEUROF 6602.
*According to PNEUROF standard 6602.
*Selon la norme PNEUROF 6602.
*Nach der PNEUROF Norm 6602.
*Según la normativa PNEUROF 6602.

#Valido per temperature fino a 40°C e altitudini inferiori a 1000 m.
#Valid for temperatures up to 40°C and altitudes lower than 1000 m.
#Valable pour températures jusqu'à 40°C et pour altitudes inférieures à 1000 m.
#Gültig für Temperaturen bis 40°C und für Höhen weniger als 1000 m.
#Válido para temperaturas hasta 40°C y altitudes inferiores a 1000 m.



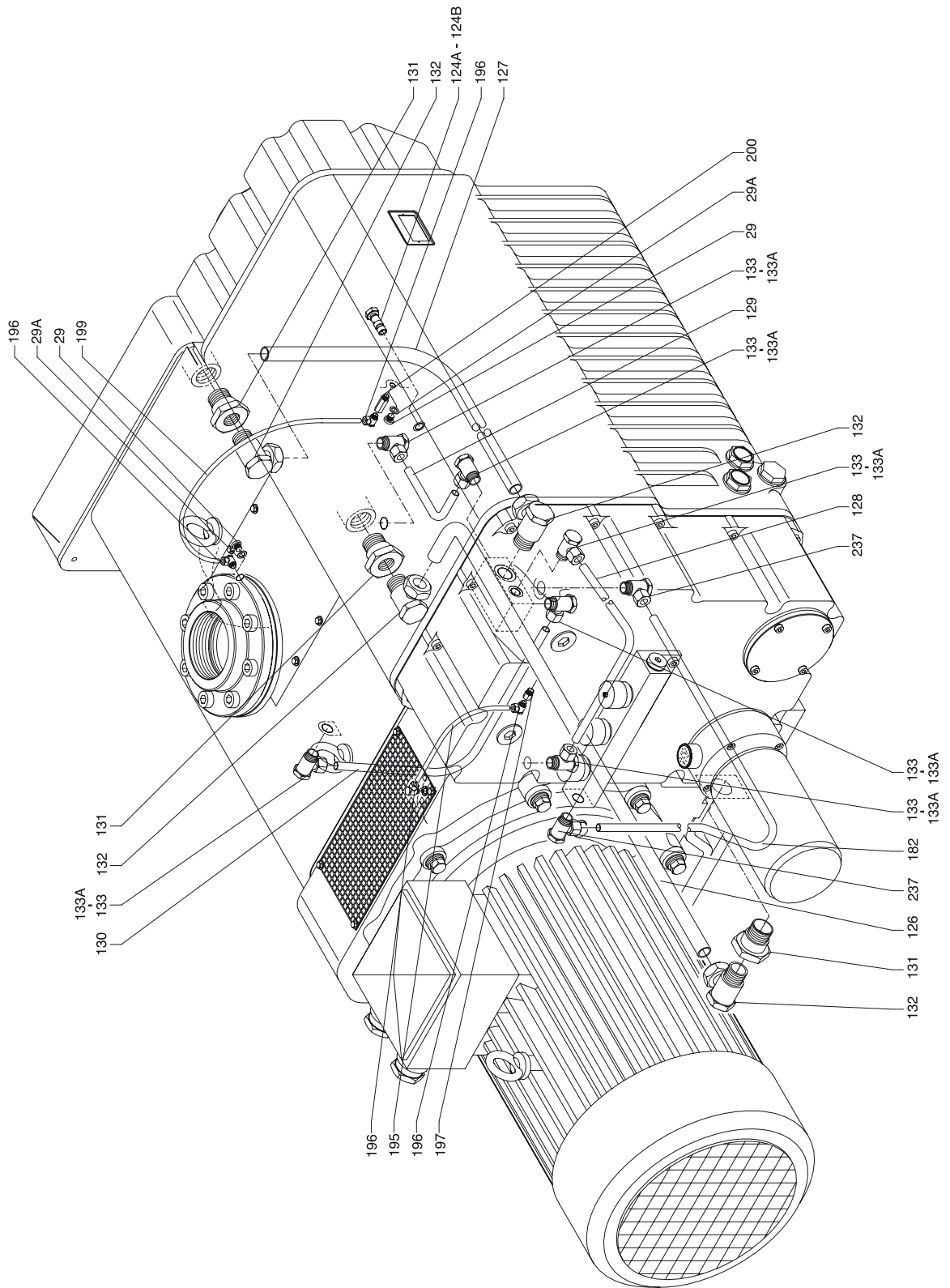


EU 1000/B



Technical data and parts lists
ENG

EU 1000-EU 1000/B



POS.	DESCRIPTION	Q.TA'	
		EU	EU/B
1	Body of pump	1	
2	Motor side cover	1	
3	External side cover	1	
4	Rotor	1	
5	Vane	3	
6	External side bearing cover	1	
7	Motor side seal ring cover	1	
8	External side bearing washer	1	
9	Coupling half (pump side)	1	
10	Ø 60/72x9 Seal ring spacer	1	
11	Ø 50/110x27 21310E External side bearing	1	
12	Ø 50/110x27 NU310E Motor side bearing	1	
13	JR 50/55x40 Bushing	1	
14	G BABSL 55/72x8 Seal ring	2	
15	14x9x80 Key	1	
16	J75 Seeger	1	
17	Ø 8x35 Pin	4	
18	G O Ring 41150	2	
19	G O Ring 3400	2	
20	M16x40 Hex. Flathead screw	1	
21	Ø 16 Lock washer for flathead screws	1	
22	M8x20 Hex. Socket head screw	10	
23	M8x25 Hex. Socket head screw	6	
24	Ø 8 Lock washer for hex. Socket head screws	12	
25	M12x80 Hex. Screw	15	
26	Ø 12 Washer for hex. screws	23	
27	Ø 12 Lock washer for hex. screws	23	
28	M10x30 Grub screw	2	
29	1/8"G Steel socket head plug	4	1
29 A	1/8"G Al washer	4	1
40	Tank	1	
41	Tank flank	1	
42	Discharge cover	1	
43	4"G Inlet flange	1	
44	Tank flank bushing	3	
45	Fixing cartridge disk	10	
46	Right low tank cover	1	
48	Oil filter cover	1	
50	Disk (for exhaust filter)	20	
51	Flank demister	1	
52	Micro-stretched sheet	1	
52 A	Support mesh for micro-stretched sheet	1	
53	Support mesh for demister	1	
54	Stay bolt (for exhaust filter)	10	
55	G Tank/Flank-tank gasket	1	
56	G Right low tank cover gasket	1	
57	G Tank-discharge cover gasket	2	
58	Exhaust filter closing spring	10	
59	R Exhaust filter	10	
60	1"G Safety valve	4	
61	R Oil filter	1	
62	1"1/4 G Pipe fitting	1	
65	G O Ring 3425	2	
66	G O Ring 2021	10	
67	G O Ring 3275	3	
68	G O Ring 4512	3	
69	M6x60 Hex. Socket head screw	20	
80	M8x55 Hex. Socket head screw	4	
82	M10x35 Hex. Socket head screw	8	
83	M10x55 Hex. Socket head screw	14	
84	M10x220 Hex. Socket head screw	2	
85	M16x35 Hex. Socket head screw	8	
86	M6x12 Hex. Screw (flanged and knurled)	28	
87	M8 Nut	10	
88	Ø 8/24 Washer	10	
89	1"G Oil sight glass	2	
89 A	G 1"G Fiber washer	5	
90	1"G Hex. Screw plug	3	
91	1"G Al Hex. Socket head plug	4	
91 A	1"G Al Washer	4	
92	Pump-tank spacer	1	

Technical data and parts lists

ENG

POS.	DESCRIPTION	Q.TA'	
		EU	EU/B
93	Motor-pump sleeve	1	
94	Oil cooler support	1	
95	Oil cooler cover	1	
96	Front foot	1	
97	Rear foot	1	
98	Coupling half (motor side)	1	
99	Motor flange	1	
100	Inlet low flange	1	
101	Lubrication distributor	1	
102	Low protection sheet for sleeve	1	
103	Front and high protection sheet for sleeve	2	
104	Casing	1	
105	Casing cover	1	
106	G Pump-spacer gasket	1	
107	G Tank-spacer gasket	1	
108	Disk (for casing)	6	
109	Extension for M/F M20/M20 eyebolt	1	
120	Air/oil cooler	1	
121	Cooling fan	1	
122	Inlet no-return valve	1	
123	Electric motor	1	
124 A	1/4"G Screw with no-return valve	1	0
124 B	1/4"G Screw with plug	0	1
125	Inlet filtering baffle	1	
125 A	G O Ring 6425	1	
126	Ø 22/18 Oil inlet pipe	1	
127	Ø 22/18 Oil outlet pipe	1	
128	Ø10/7 (Ø12/9) Oil pipe (motor side)	1	
129	Ø10/7 (Ø12/9) Oil pipe (external side)	1	
130	Ø10/7 (Ø12/9) Oil pipe (body of pump)	1	
131	1" 3/4" M/F adapter	3	
132	3/4"G L Adjustable pipe fitting for Ø 22 pipe	4	
133	3/8"G L Adjustable pipe fitting for Ø 12 pipe	6	
134	M8x45 Hex. Socket head screw	4	
135	M10x70 Hex. Socket head screw	20	
136	M14x90 Hex. Socket head screw	3	
137	M14x140 Hex. Socket head screw	1	
138	M16x100 Hex. Socket head screw	4	
139	M12x45 Hex. screw	4	
140	M12x100 Hex. screw	4	
141	M16x30 Hex. screw	4	
142	M8x25 Hex. screw flanged and knurled	6	
143	M14x55 Hex. screw	8	
144	M10x20 Hex. screw flanged and knurled	5	
145	M10x35 Threaded rod	18	
146	M10 Nut (flanged and knurled)	18	
147	Ø 16 Washer for hex. Screws	4	
148	Ø 16 Lock washer for hex. Screws	4	
149	M20 Eyebolt	2	
161	Ø 14 Lock washer for hex. Socket head screw	4	
162	1/2"G AI Hex. Socket head plug	1	
162 A	1/2"G AI Washer	3	
163	G O Ring 147	20	
164	Spring slide guide	10	
166	Gas ballast valve support	1	
167	Ø 14 washer for hex. Screws	8	
168	Ø 14 Lock washer for hex. Screws	8	
169	R Elastic coupling insert	1	
172	Bushing for external side bearing shoulder	1	
173	M8x30 spacer	6	
174	M8x60 Hex. Socket head screw	2	
175	M8x100 Hex. Socket head screw	4	
176	Discharge valve plate	1	
177	M6x30 Hex. Socket head screw	8	
178	Discharge valve support	28	
179	G Discharge valve	28	
180	M6x20 Hex. Socket head screw	28	
181	Ø 6 Lock washer for hex. Socket head screw	28	
182	Ø16/13 (Ø18/15) gas ballast pipe	1	
183	G O Ring 3075	4	
184	1/2"G gas ballast valve	4	

PVR Srl **SEDE LEGALE E AMMINISTRATIVA:**

Via Santa Vecchia, 107 - 23868 Valmadrera (LC), Italy
T +39 0341 1918 51 - F +39 0341 1918 599
info@pvr.it - www.pvr.it

UNITÀ LOCALE:

Via IV Novembre, 104F
23868 Valmadrera (LC), Italy