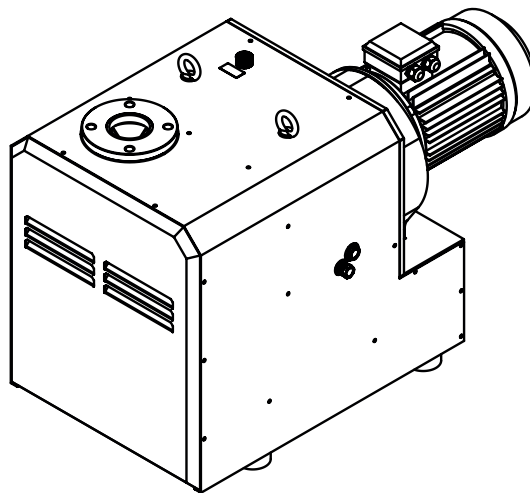


# DRY CR 400

## *Claw vacuum pumps*

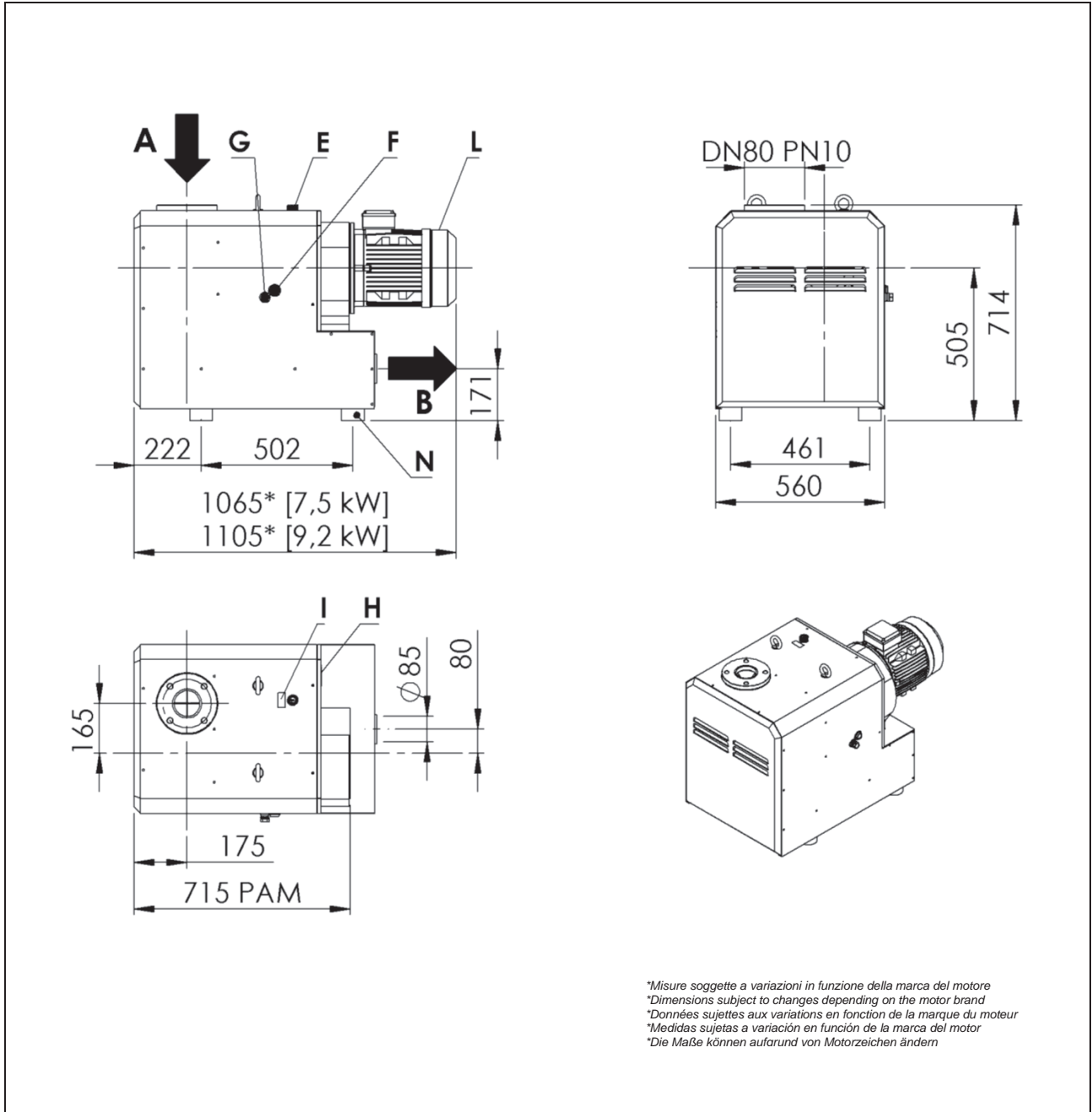


## *Technical data and parts lists*

Publication Number:  
**RDT 4950.00 November 2020**

**Technical data and parts lists**  
**ENG**

**DRY CR 400**



*\*Misure soggette a variazioni in funzione della marca del motore  
\*Dimensions subject to changes depending on the motor brand  
\*Données sujettes aux variations en fonction de la marque du moteur  
\*Medidas sujetas a variación en función de la marca del motor  
\*Die Maße können aufgrund von Motorzeichen ändern*

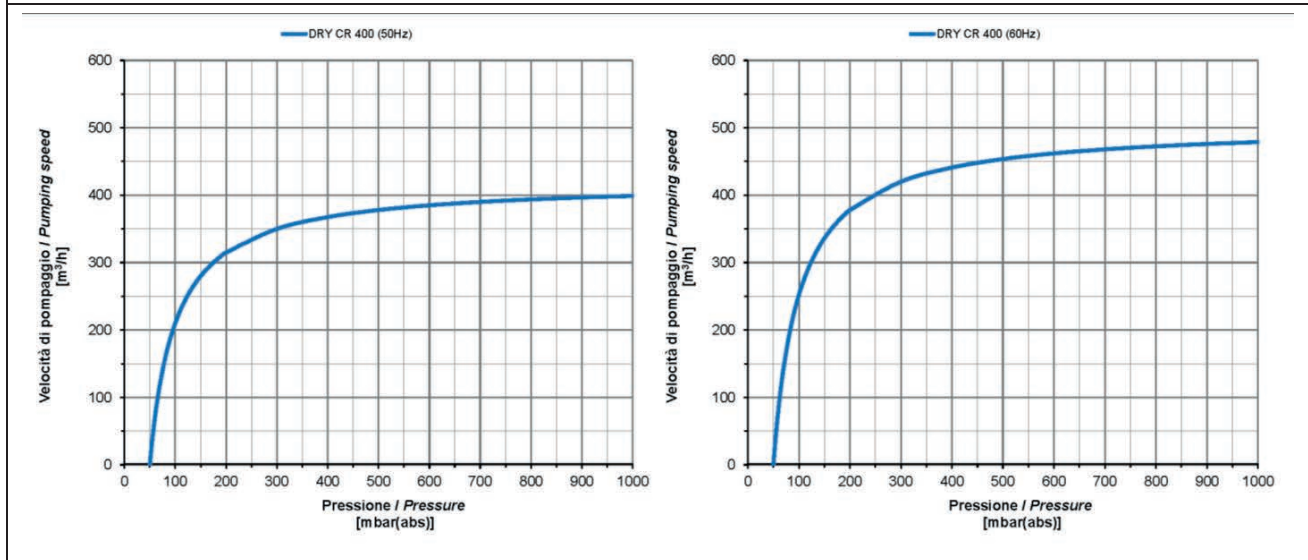
	( I )	( GB )	( F )	( E )	( D )
<b>A</b>	Aspirazione	Inlet	Aspiration	Aspiración	Einlass
<b>B</b>	Scarico aria	Exhaust	Sortie de l'air	Salida de aire	Luftauslass
<b>E</b>	Tappo carico olio	Oil filling plug	Bouchon remplissage huile	Tapón carga de aceite	Öleinfüllschraube
<b>F</b>	Spia livello olio	Oil level sight glass	Voyant niveau huile	Mirilla aceite	Ölschauglas
<b>G</b>	Tappo scarico olio	Oil drain plug	Bouchon vidange huile	Tapón vaciado de aceite	Ölablass-schraube
<b>H</b>	Targhetta identificazione	Pump name plate	Plaquette d'identification	Placa de identificación	Maschinenschild
<b>I</b>	Targhetta oli	Oil grade label	Plaquette huiles	Placa tipos de aceites	Ölempfehlungsschild
<b>L</b>	Targhetta rotazione	Rotation plate	Plaquette rotation	Placa sentido de giro	Drehungsschild
<b>N</b>	Antivibranti	Vibration damper	Antivibration	Antivibrante	Antivibrante

### DRY CR 400

		<b>DRY CR 400</b>		
Portata nominale* Nominal capacity* Débit nominal* Caudal nominal* Nennsaugvermögen*	m <sup>3</sup> /h	50Hz	400	
		60Hz	480	
Pressione finale*(Funzionamento continuo) Ultimate pressure* (Continuous operation) Pression limite* (Opération continue) Presión final* (Operación continua) Enddruck* (Dauerbetrieb)	mbar (abs)	50 (200)		
	Pascal (abs)	5000 (20000)		
Potenza motore # / Numero di giri Motor power # / Rotational speed Puissance moteur # / Numéro de révolutions Potencia motor # / Velocidad de giro Motorleistung # / Drehzahl	kW	50Hz	7,5	
	min <sup>-1</sup>		2850	
	kW	60Hz	9.2	
	min <sup>-1</sup>		3450	
Caratteristiche motore elettrico Electric motor characteristics Caractéristiques moteur électrique Características motor eléctrico Motoreigenschaften		50Hz	IM B5 400/690 V±10%	
		60Hz	IM B5 480 V±10%	
Livello di pressione acustica Sound pressure level Niveau de pression acoustique Nivel de presión acústica Schalldruckpegel	dB(A)	50Hz	78	
		60Hz	80	
Carica olio Oil capacity Charge d'huile Carga de aceite Öfüllmenge	l	1,5		
Peso totale Total weight Poids total Peso total Gesamtgewicht	kg	50Hz	350	
		60Hz	355	
Completa di: • Valv. di non ritorno in aspir. • Silenziatore	Complete of: • Inlet non return valve • Silencer	Complet de: • Clapet anti-retour • Silencieux	Completo de: • Válvula retención • Silenciador	Komplett von: • Rückschlagventil am Einlass • Schalldämpfer
Accessori: • Filtro in aspirazione • Inverter	Accessories • Inlet filter • Inverter	Accessories • Filtre d'aspiration étanche • Inverter	Accesorios • Filtro succión hermético • Inverter	Zubehör • Filter am Einlass • Inverter

\*Secondo accordi PNEUROF 6602.  
\*According to Pneurop standard 6602.  
\*Selon la norme Pneurop 6602.  
\*Según la normativa Pneurop 6602.  
\*Nach der Pneurop Norm 6602.

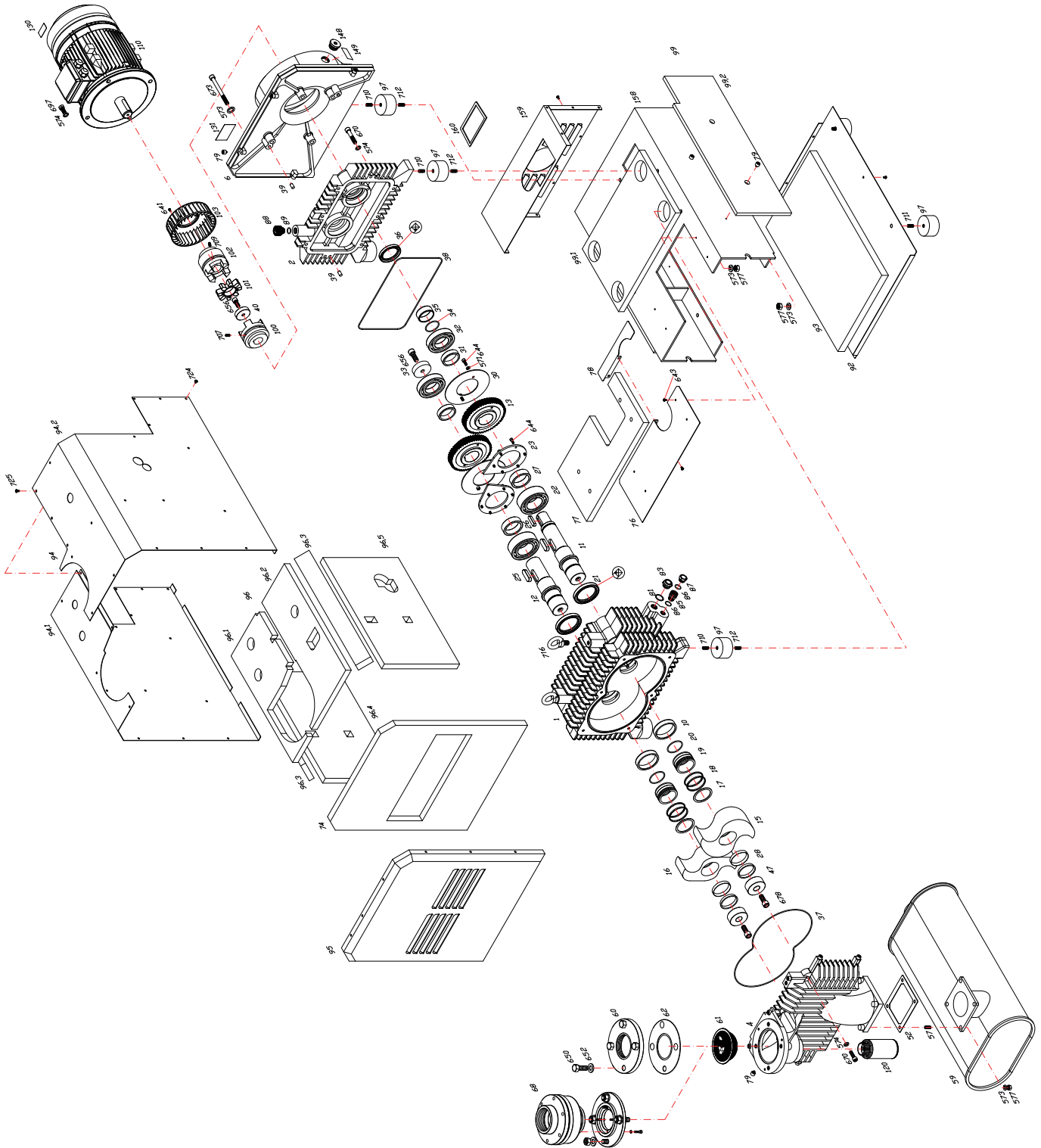
#Valido per temperature fino a 40°C e altitudini inferiori a 1000 m.  
#Valid for temperatures up to 40°C and altitudes lower than 1000 m.  
#Valable pour températures jusqu'à 40°C et pour altitudes inférieures à 1000 m.  
#Válido para temperaturas hasta 40°C y altitudes inferiores a 1000 m.  
#Gültig für Temperaturen bis 40°C und für Höhen unter 1000 m.



RDT 4950.00

Technical data and parts lists  
ENG

**DRY CR 400**



## DRY CR 400

Pos. #	Description	Qty
1	Gear Box Housing (NEW)	1
2	Gear Box Cover (rear)	1
3	Pump Housing	1
4	Pump Housing Cover 1 (End Plate)	1
5	Pump Housing Cover 2 (End Plate)	1
6	Fan Housing	1
7	Pump Housing Cover (front)	1
11	Shaft 1	1
12	Shaft 2	1
13	Gear 1	1
14	Gear 2	1
15	Rotor 1	1
16	Rotor 2	1
17	Spacer	2
18	Piston Ring	8
19	Sleeve	4
20	O-Ring	4
21	Shaft Seal	4
22	Bearing,	2
23	Bearing cover	2
24	Key, for Rotor	2
25	Key, for Gear	1
26	Key, for Coupling	1
27	Sleeve	2
28	Power Lock	1
29	Washer, Spring	2
30	Flinger	1
31	Sleeve,	1
32	Bearing,	2
33	Locking Disk	3
34	O-Ring	1
35	Sleeve,	1
36	Shaft Seal,	1
37	O-Ring, Compressor cover,	2

RDT 4950.00

5

## Technical data and parts lists

### ENG

## DRY CR 400

Pos. #	Description	Qty
38	O-Ring, Gear Box cover,	1
39	Dowel Pin	12
40	Locking Disk	1
41	O-ring, Bearing cover	2
42	Cover, Bearing	2
43	Nipple set, grease	2
44	O-Ring	2
51	Exhaust Silencer, Inlet Flange	1
52	Gasket, Exhaust Silencer	1
53	Exhaust Silencer, Outlet Flange (Threaded)	1
54	Gasket, ES Outlet Flange	1
59	Exhaust Silencer assembly	1
60	Inlet flange, Upper Housing (Threaded), G 3"	1
61	Inlet screen (Conical)	1
68	Inlet Connection Housing	1
69	Gasket, Connection Housing	2
70	Flange Adapter, Inlet	1
71	Gasket, Flange	2
80	Pipe, for Oil sight glass	2
81	Gasket, Oil Sight Glass	4
82	Plate	1
83	Oil Sight Glass	1
84	Plug for oil Sight Glass	1
85	Pipe, for Drain Plug	2
86	Gasket, Drain Plug	2
87	Drain Plug	2
88	Oil filler Breather, Plastic	1
89	O-Ring for Oil filler, for PN 100.088.00	1
90	Foot Mount, Right	1
91	Foot Mount, Left	1
92	Shield Cover, Bottom, with mat	1
93	Acoustic Mat for Shield Cover, Bottom	1
94	Shield Cover, Side, with mat (NEW GB)	1
95	Shield Cover, Front with mat	1

## DRY CR 400

Pos. #	Description	Qty
96	Acoustic Mat for Shield Cover, Front & Side	1
97	Foot, Rubber	4
98	Cover, Plastic Foot Mount	4
99	Grill for Fan	2
100	Coupling, Pump Side	1
101	Insert, Coupling	1
102	Coupling, Motor Side	1
103	Fan, new, Plastic	1
105	Flange Adapter	1
110	Motor	1
115	Base W/Bolt, Nut for Motor	1
120	Vacuum Regulator	1
121	Silencer, Inlet	1
123	Pipe, extension, medium, Inlet, 1_1/2"	1
128	Pipe, extension, short, Inlet, 1_1/2"	1
129	Eye Bolt	1
130	Label, Direction Arrow	1
131	Name Plate	1
132	Label, Hot	1
133	Label, read manual	1
144	Bushing 3"	2
156	Elbow 1_1/2"	1
157	Plug 1/8"	1
201	Hex. Socket Head Cap Screw / M6 x 15	8
202	Hex. Socket Head Cap Screw / M6 x 30	8
203	Hex. Socket Head Cap Screw / M6 x 15	2
204	Hex. Socket Head Cap Screw / M12 x25	1
205	Hex. Socket Head Cap Screw / M5 x 8	2
206	Hex. Socket Head Cap Screw / M12 x25	2
207	Stud Bolt / M12 x 275 / 290	8
208	Hexagon Nut / M12	8
209	Washer, Spring Lock, 12mm	8
210	Hex. Socket Head Cap Screw / M12 x 25	1
211	Hexagon Bolt / M12 x 35	4

RDT 4950.00

7

# Technical data and parts lists

## ENG

### DRY CR 400

Pos. #	Description	Qty
212	Washer, Spring Lock, 12mm	4
213	Hexagon Bolt / M12 x 25	4
215	Set Screw / M8 x 15	2
216	Set Screw / M8 x 15	2
217	Round Head Bolt / M5 x 12	5
218	Hex. Socket Head Cap Screw / M10 x 60	6
219	Washer, Spring Lock, 10mm	6
231	Hex. Socket Head Cap Screw / M12 x 25	4
232	Hex. Socket Head Cap Screw / M8 x 160	4
233	Hex. Socket Head Cap Screw / M8 x 20	4
241	Hex. Socket Head Cap Screw / M12 x 70	4
242	Washer, Spring Lock, 12mm	4
243	Hex. Socket Head Cap Screw / M8 x 30	6
244	Washer, Spring Lock, 8mm	6
245	Hex. Socket Head Cap Screw / M8 x 120	4
246	Hex. Socket Head Cap Screw / M8 x 90	11
247	Hex. Socket Head Cap Screw / M6 x 20	6
261	Hex. Socket Head Cap Screw / M12 x 25	6
263	Set Screw / M12 x 30	4
264	Hexagon Nut / M12	4
265	Hex. Socket Head Cap Screw / M12 x 140	2
266	Washer, Spring Lock, 12mm	2
267	Round Head Bolt/ M5 x 10	4
268	Round Head Bolt / M5 x 10	4
269	Bolt / M14 x 130	1
270	Hexagon Nut / M14	2
291	Round Head Bolt / M5 x 10	12
292	Washer, Flat, 5mm	12



**PVR** Srl

**HEADQUARTERS:**

Via Santa Vecchia, 107 - 23868 Valmadrera (LC), Italy  
T +39 0341 1918 51 - F +39 0341 1918 599  
info@pvr.it - www.pvr.it

**LOCAL UNIT:**

Via IV Novembre, 104F  
23868 Valmadrera (LC), Italy